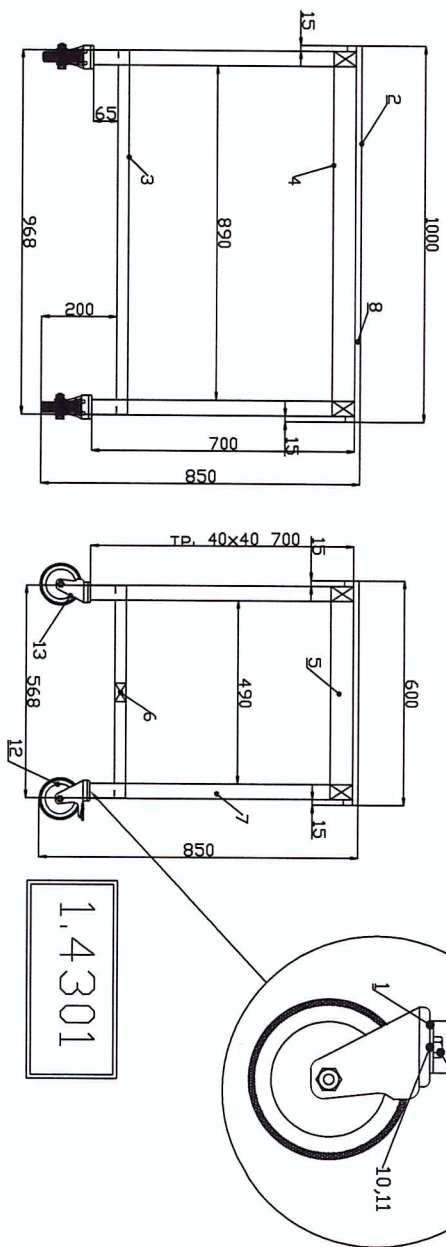


4RTZ100-STCE106



No drawing	Name	type of material	quantity
1	4RTZ100-STCE106.01	Plate with hole for Nut M10	1.4301
2	4RTZ100-STCE106.02	Working top 1000x600x40	1.4301
3	4RTZ100-STCE106.03	Shelf 968x568x30	1.4301
4	4RTZ100-STCE106.04	Profil 60x40 L=490	1.4301
5	4RTZ100-STCE106.05	Profil 60x40 L=890	1.4301
6	4RTZ100-STCE106.06	Reinforcing profil 50x27 L=960	1.4301
7		Tube 40x40x1 L=700	1.4301
8		Water-resistant plywood b=18mm	4

Nomenclature No	Name	type of material	quantity
9	DIN912	Screw M10x25	Zn
10	DIN934	Nut M10	Zn
11	DIN127	Puck M10	Zn
12	PA0100P50	Wheel with brakes $\varnothing$ 100x32	Zn
13	PA0100P50	Wheel without brakes $\varnothing$ 100x32	Zn