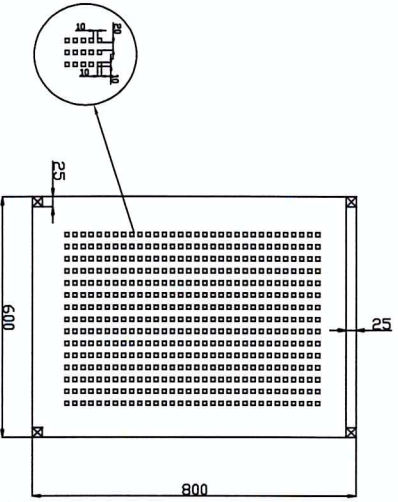
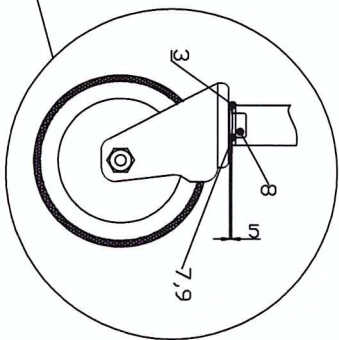
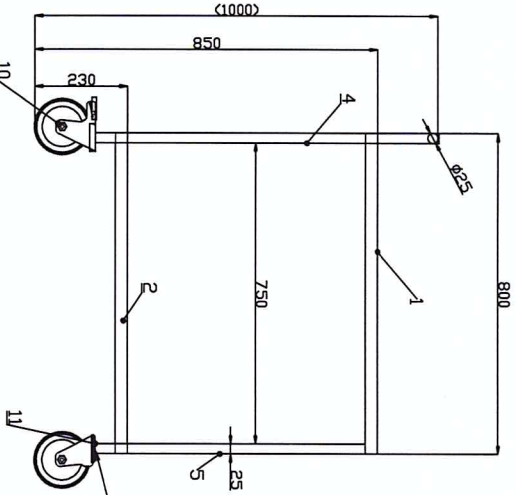
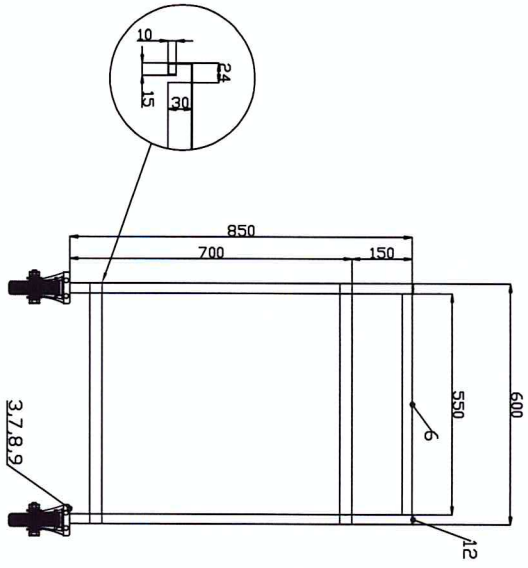


52319



No drawing	Name	mater.	qty
1	52319.01 Shelf 1 800x600x30	1.4301	1
2	52319.02 Shelf 2 798x598x30	1.4301	1
3	52319.03 Plate for montage wheels	1.4301	4
4	Tube 25x25x1 L=850	1.4301	2
5	Tube 25x25x1 L=700	1.4301	2
6	Tube φ25x1 L=550	1.4301	1

7	DIN912 Screw M10x25	Zn	4
8	DIN934 Nut M10	Zn	4
9	DIN127 Puck M10	Zn	4
10	Wheel φ125 with brakes	Zn	2
11	Wheel φ125 without brakes	Zn	2
12	Stoppole for tube. 25x25x1	PVC	2

304