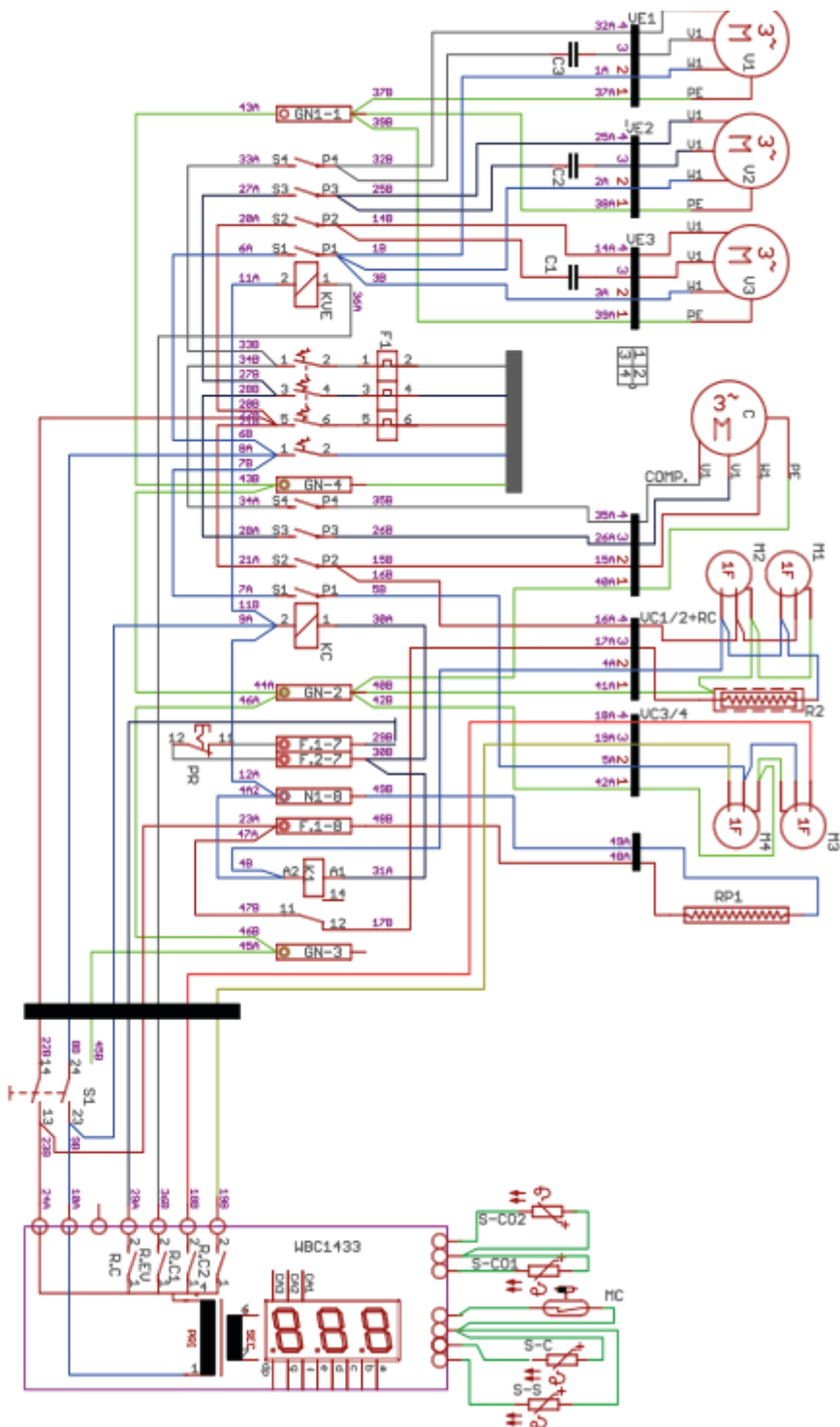


- S1**: BIPOLAR SWITCH
- C**: COMPRESSOR (MLTB)
- M1/M2**: CONDENSER FAN MOTOR
- M3**: FAN MOTOR, ADDITIONAL CONDENSER
- M4**: FAN MOTOR ON CONDENSER AND COMPRESSOR COOLING
- V1/V2/V3**: FAN MOTOR ON EVAPORATOR
- RP1**: INTERNAL HEATER ON DOOR FRAME PLASTIC
- KC**: RELAY FOR COMPRESSOR SUPPLY
- KVE**: RELAY FOR EVAPORATOR FANS SUPPLY
- MC**: OPEN DOOR SWITCH
- S-CO1/S-CO2**: CONDENSER OVERHEATING PROBE
- S-C**: PTC PROBE IN THE REFRIGERATED ROOM
- S-S**: PTC CORE PROBE FOR THE INTERNAL TEMPERATURE OF THE FOOD TO BE BLASTED
- C1/C2/C3**: CONDENSER FOR THE INTERNAL FAN IN 2 MICROFARAD
- R2**: CONDENSER INTERNAL HEATER
- PR**: HP PRESSURE SWITCH
- F1**: SWITCH MAGNETERMIC WBCI 433: CONTROL PANEL
- K1**: COMPRESSOR POWER SUPPLY RELAY



- S1: BIPOLAR SWITCH
- C: COMPRESSOR (MLTB)
- M1/M2: CONDENSER FAN MOTOR
- M3: FAN MOTOR, ADDITIONAL CONDENSER
- M4: FAN MOTOR ON CONDENSER AND COMPRESSOR COOLING
- V1/V2/V3: FAN MOTOR ON EVAPORATOR
- RP1: INTERNAL HEATER ON DOOR FRAME PLASTIC
- KC: RELAY FOR COMPRESSOR SUPPLY
- KVE: RELAY FOR EVAPORATOR FANS SUPPLY
- MC: OPEN DOOR SWITCH
- S-CO1/S-CO2: CONDENSER OVERHEATING PROBE
- S-C: PTC PROBE IN THE REFRIGERATED ROOM
- S-S: PTC CORE PROBE FOR THE INTERNAL TEMPERATURE OF THE FOOD TO BE BASTED
- C1/C2/C3: CONDENSER FOR THE INTERNAL FAN IN 2 MICROFARAD
- R2: CONDENSER INTERNAL HEATER PR: HP PRESSURE SWITCH
- F1: SWITCH MAGNETERMIC WBC1433. CONTROL PANEL
- K1: COMPRESSOR POWER SUPPLY RELAY

