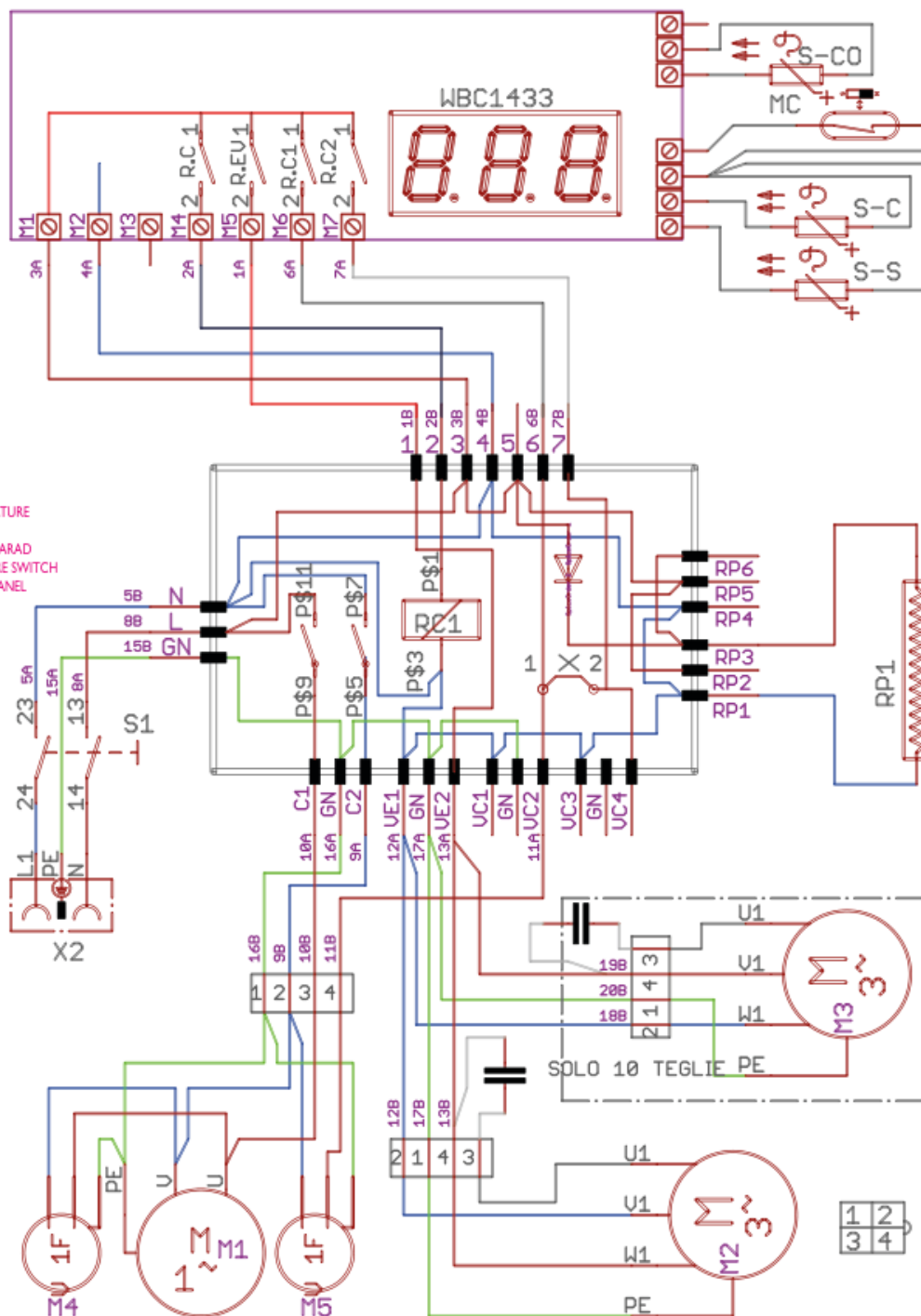


- S1**: BIPOLAR SWITCH
- C**: COMPRESSOR (MLTB)
- M1/M2**: CONDENSER FAN MOTOR
- M3**: FAN MOTOR, ADDITIONAL CONDENSER
- M4**: FAN MOTOR ON CONDENSER AND COMPRESSOR COOLING
- V1/V2/V3**: FAN MOTOR ON EVAPORATOR
- RP1**: INTERNAL HEATER ON DOOR FRAME PLASTIC
- KC**: RELAY FOR COMPRESSOR SUPPLY
- KVE**: RELAY FOR EVAPORATOR FANS SUPPLY
- MC**: OPEN DOOR SWITCH
- S-CO1/S-CO2**: CONDENSER OVERHEATING PROBE
- S-C**: PTC PROBE IN THE REFRIGERATED ROOM
- S-S**: PTC CORE PROBE FOR THE INTERNAL TEMPERATURE OF THE FOOD TO BE BLASTED C1/C2/C3
- C1/C2/C3**: CONDENSER FOR THE INTERNAL FAN IN 2 MICROFARAD
- R2**: CONDENSER INTERNAL HEATER PR: HP PRESSURE SWITCH
- F1**: SWITCH MAGNETERMIC
- WBC1433**: CONTROL PANEL
- KI**: COMPRESSOR POWER SUPPLY RELAY



- S1:** BIPOLAR SWITCH
- C:** COMPRESSOR (MLTB)
- M1/M2:** CONDENSER FAN MOTOR
- M3:** FAN MOTOR, ADDITIONAL CONDENSER
- M4:** FAN MOTOR ON CONDENSER AND COMPRESSOR COOLING
- V1/V2/V3:** FAN MOTOR ON EVAPORATOR
- RP1:** INTERNAL HEATER ON DOOR FRAME PLASTIC
- KC:** RELAY FOR COMPRESSOR SUPPLY
- KVE:** RELAY FOR EVAPORATOR FANS SUPPLY
- MC:** OPEN DOOR SWITCH
- S-CO1/S-CO2:** CONSENSER OVERHEATING PROBE
- S-C:** PTC PROBE IN THE REFRIGERATED ROOM
- S-S:** PTC CORE PROBE FOR THE INTERNAL TEMPERATURE OF THE FOOD TO BE BLASTED
- C11/C2/C3:** CONDENSER FOR THE INTERNAL FAN IN 2 MICROFARAD
- R2:** CONDENSER INTERNAL HEATER PR: HP PRESSURE SWITCH
- F1:** SWITCH MAGNETERMIC WBC1433: CONTROL PANEL
- K1:** COMPRESSOR POWER SUPPLY RELAY

