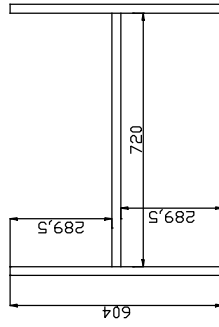
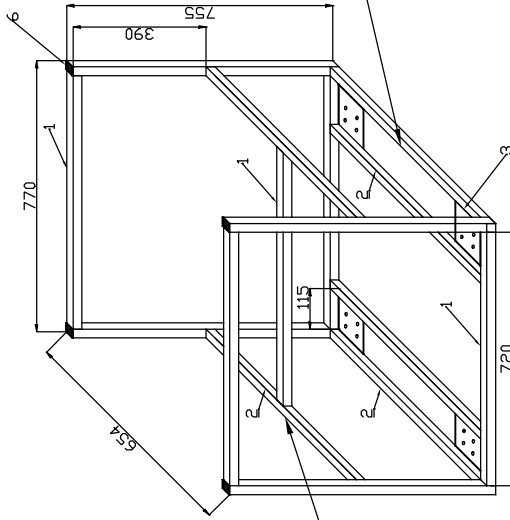
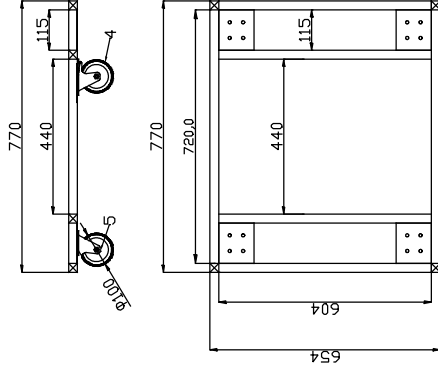


CHPLAT170  
DATE 15.03.2016



name	material	Qty
1 Tube 25x25x1 L=720	1.4301	5
2 Tube 25x25x1 L=604	1.4301	6
3 Plate with holes for wheels	1.4301	4
4 Wheel $\phi$ 100 with plate for mounting with brakes		2
5 Wheel $\phi$ 100 with plate for mounting without brakes		2
6 Stopples for tube 25x25x1	PVC	4

304