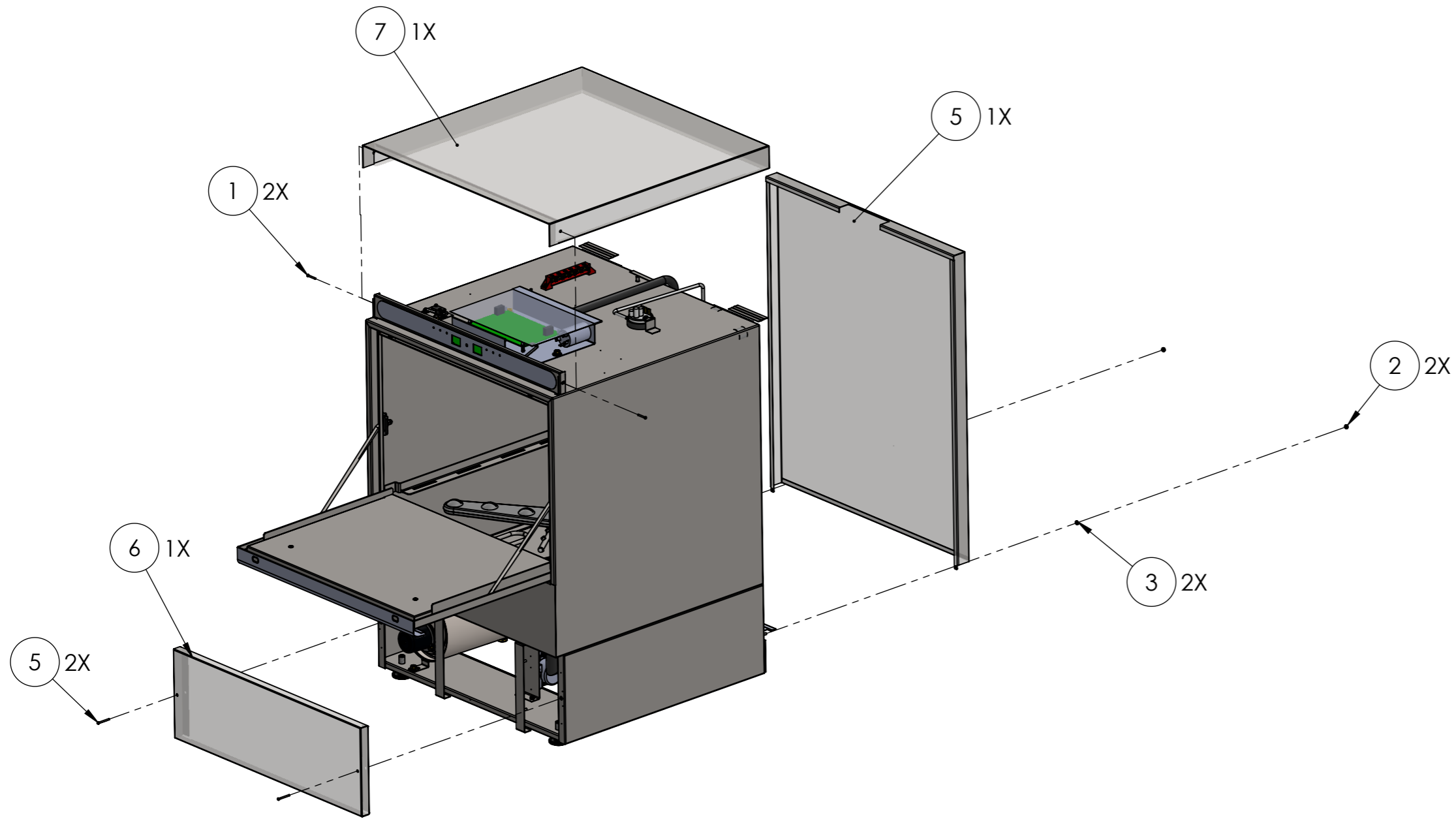


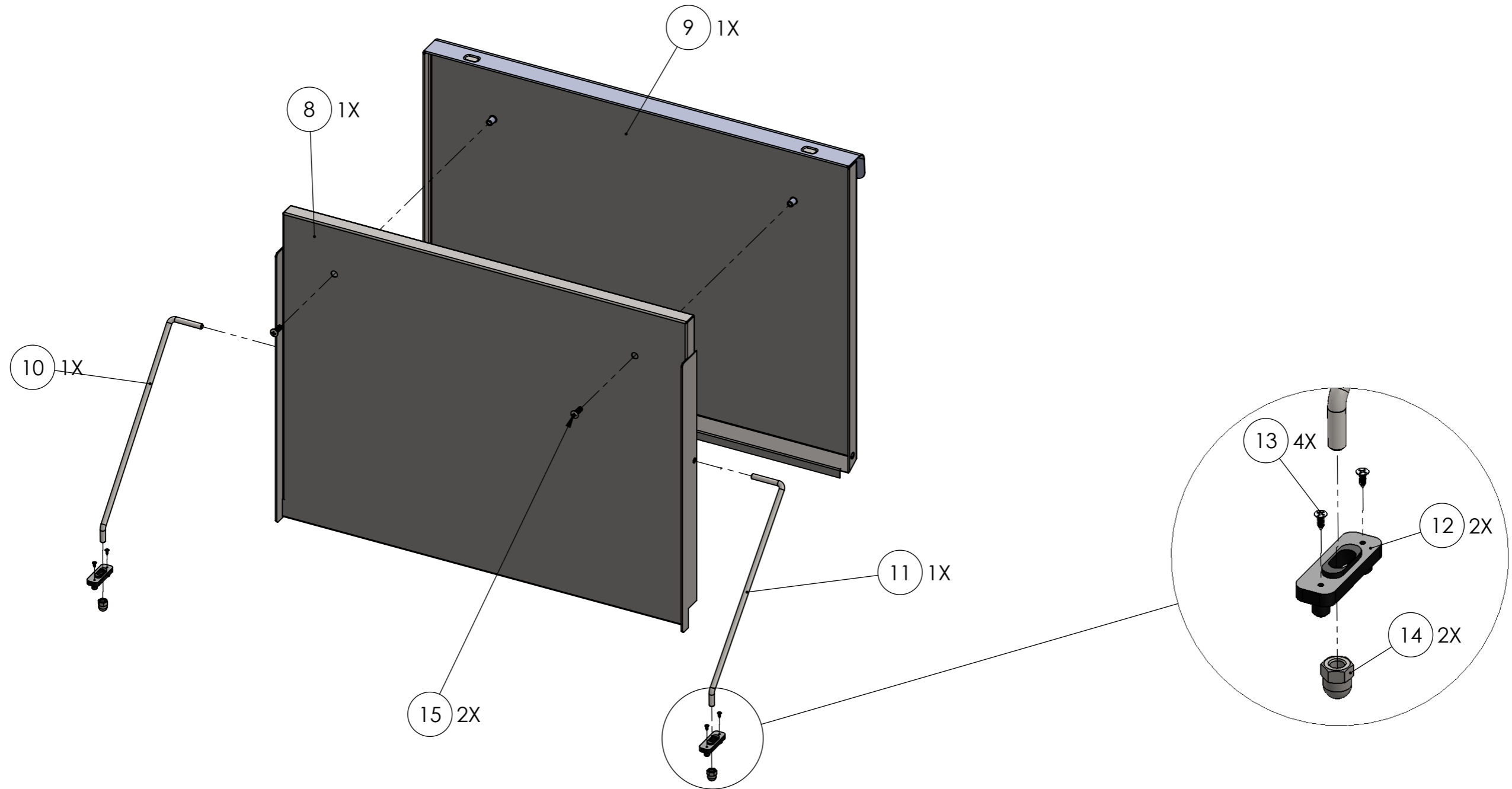
ITEM NO.	PART NUMBER	DESCRIPTION	QTY.
1	001.00.00213	INOX SCREW M4X15	2
2	002.00.00095	INOX NUT M4	2
3	002.00.00140	LOCK WASHER INOX Φ4	2
4	001.50.00043	BACK COVER INOX V50 - K50	1
5	001.00.00261	INOX SCREW M4X30	2
6	001.50.00048	FRONT COVER INOX V50	1
7	001.50.00015	UPPER COVER INOX V50 - K50	1



ITEM CODE:	ITEM DESCRIPTION:
MODEL CODE: 004.50.00023	PAGE: 01
	REVISION: 01

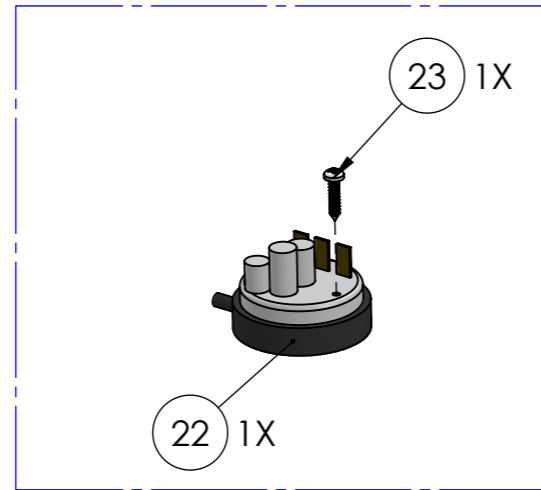
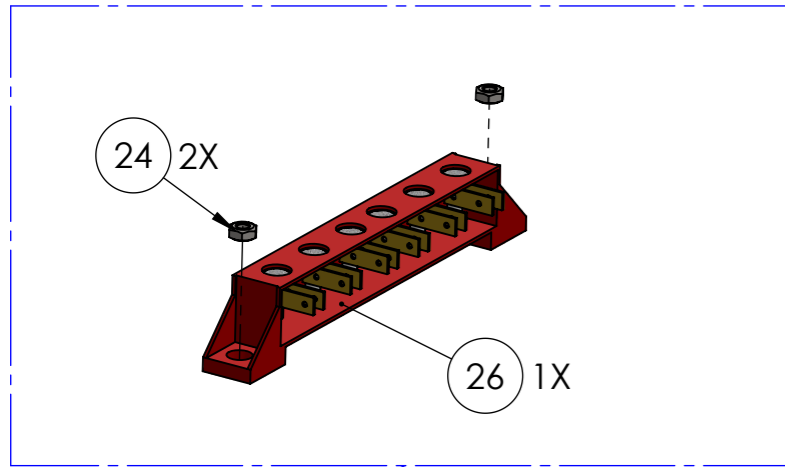
SERIES DESCRIPTION: DISHWASHER	MODEL DESCRIPTION: D-LV50-A3P	MODEL VERSION: 220-240V 1~N 50/60 Hz
-----------------------------------	----------------------------------	---

ITEM NO.	PART NUMBER	DESCRIPTION	QTY.
8	001.50.00011	BACK PART OF THE DOOR V-K	1
9	001.50.00027	FRONT PART OF THE DOOR V-K	1
10	001.00.00048	DOOR RIGHT SUPPORT AXLE M6X300	1
11	001.00.00048-M	DOOR LEFT SUPPORT AXLE M6X300	1
12	001.00.00221	PLASTIC GUIDE FOR DOOR AXLE	2
13	001.00.00073	INOX SCREW 2,9 X 10	4
14	001.00.00110	DOMED CAP NUT M6	2
15	001.00.00262	INOX TAPPERD SCREW M5X16	2

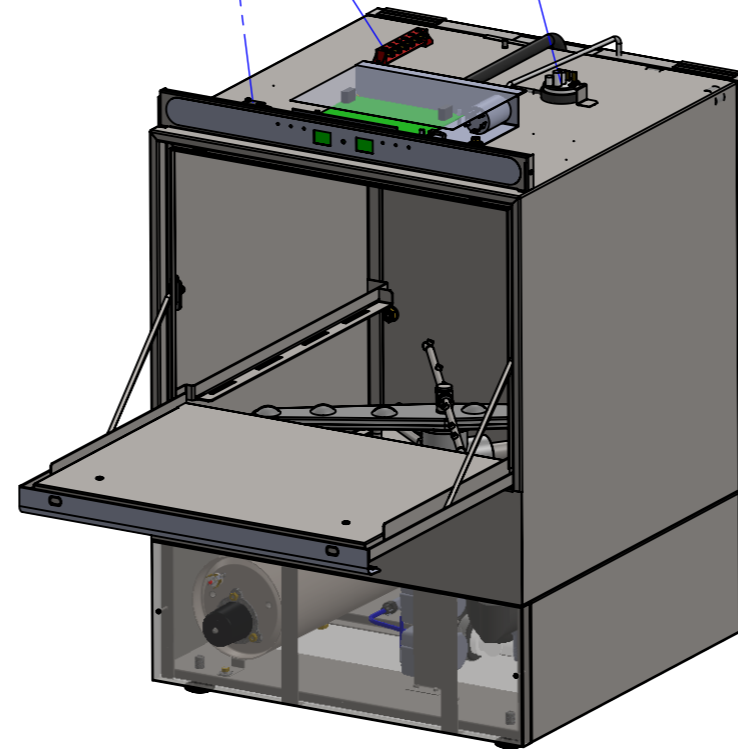
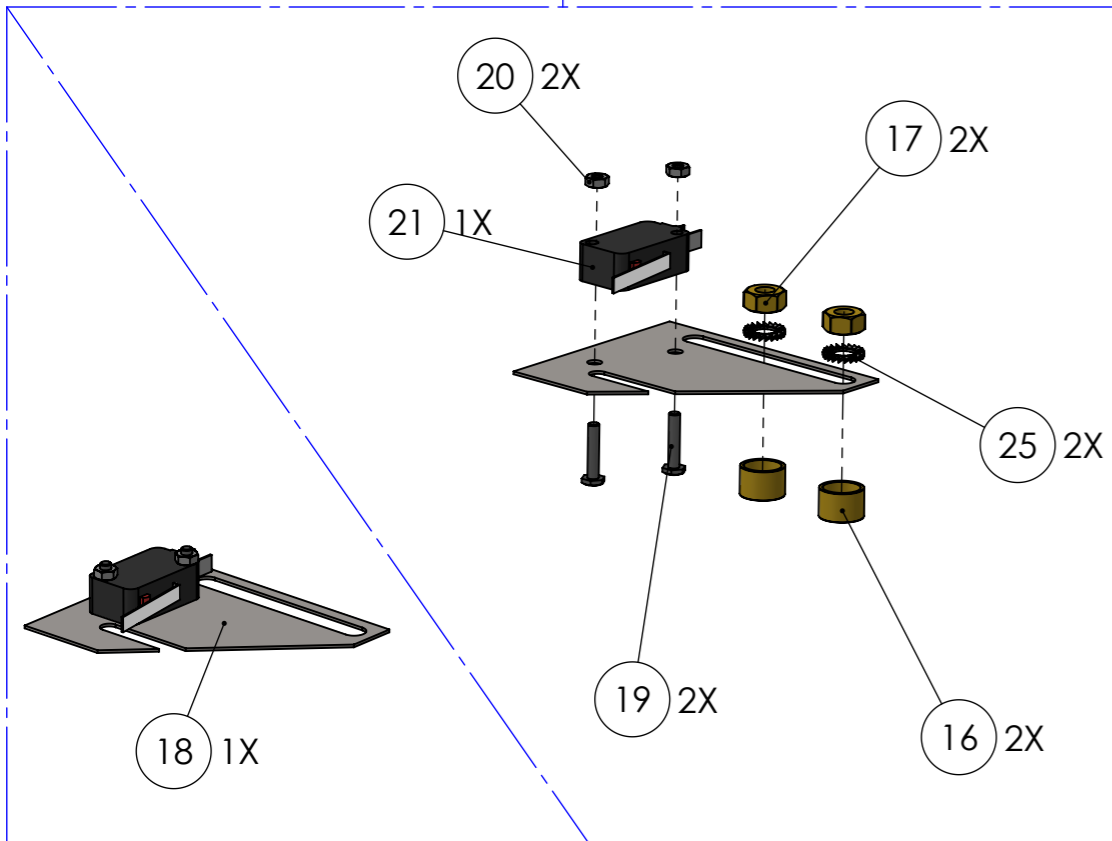


ITEM CODE: 001.50.00046	ITEM DESCRIPTION: DOOR COMPLETE 500
MODEL CODE: 004.50.00023	PAGE: 02
	REVISION: 01

SERIES DESCRIPTION: DISHWASHER	MODEL DESCRIPTION: D-LV50-A3P	MODEL VERSION: 220-240V 1~N 50/60 Hz
-----------------------------------	----------------------------------	---



ITEM NO.	PART NUMBER	DESCRIPTION	QTY.
16	003.00.00085	SPACER FOR DOOR SWITCH	2
17	003.00.00041	NUT M6 GALVANISED	2
18	003.00.00574	DOOR SWITCH ELECTRICAL PART COMPLETE	1
19	003.00.00065	GALV. HEX. BOLT M3X16	2
20	002.00.00090	GALV. NUT M3	2
21	003.00.00515	DOOR MICROSWITCH 16A	1
22	003.00.00033	PRESSOSTAT	1
23	002.00.00207	TAPPING SCREW 4,2 X 19	1
24	003.00.00046	NUT M4 (GALV)	2
25	001.00.00204	GALVANIZED LOCK WASHER 6,4x11x0,7	2
26	003.00.00030	POWER SUPPLY BOARD 6CON	1

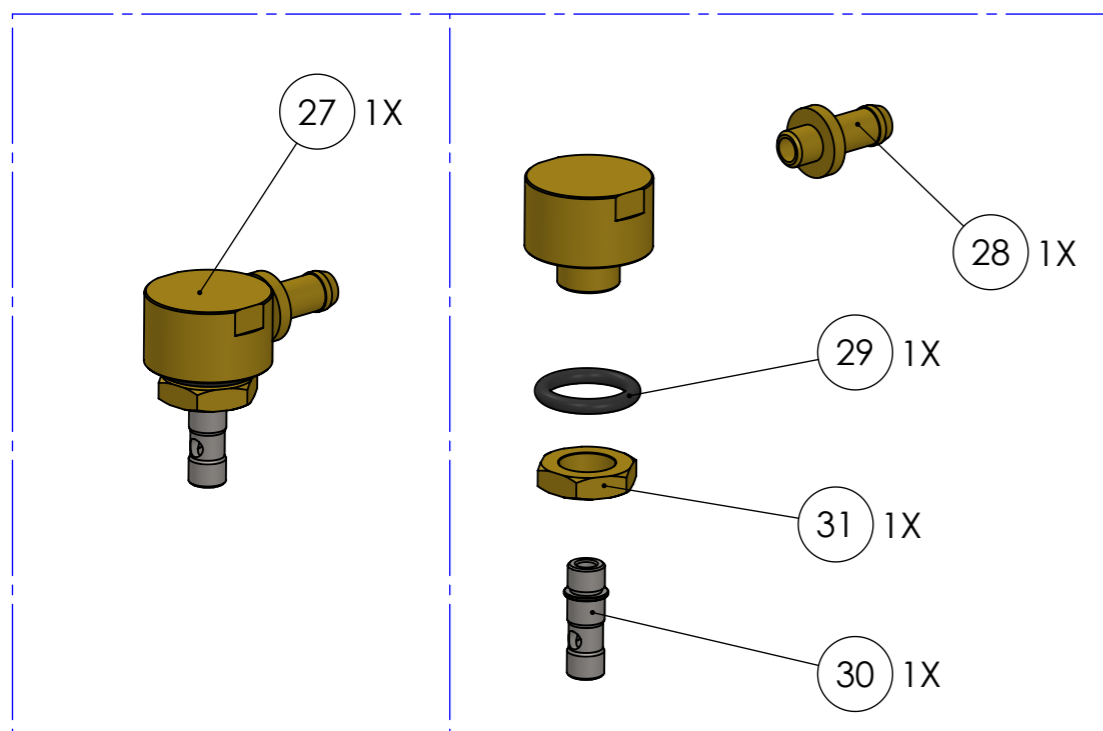


ITEM CODE:	ITEM DESCRIPTION:
MODEL CODE: 004.50.00023	PAGE: 03
	REVISION: 01

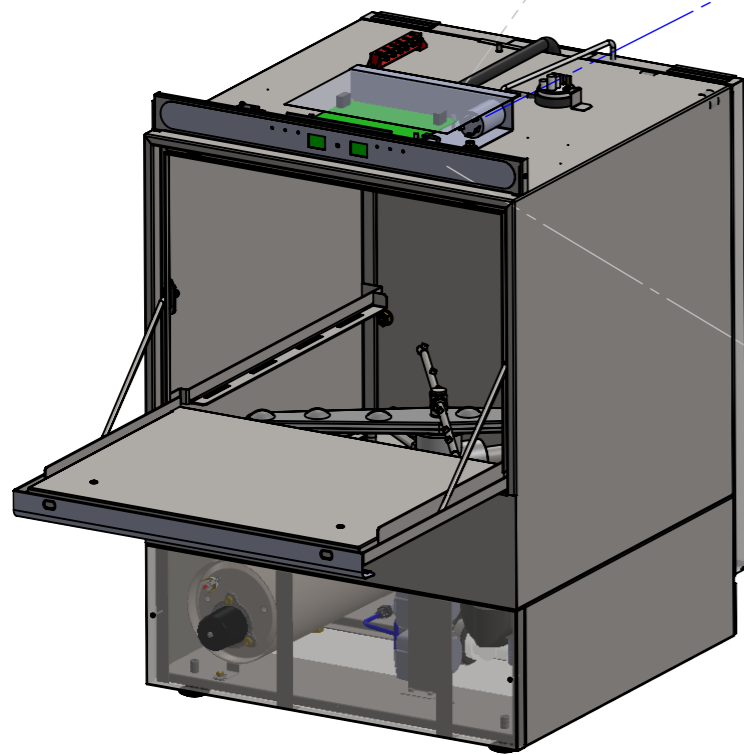
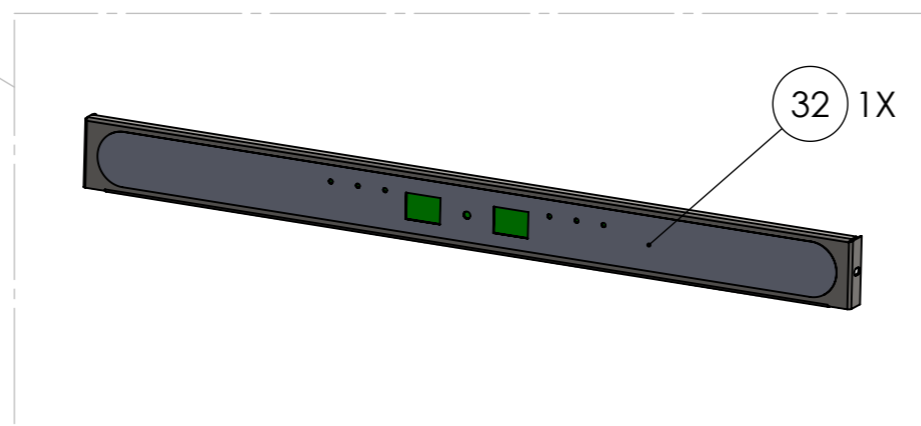
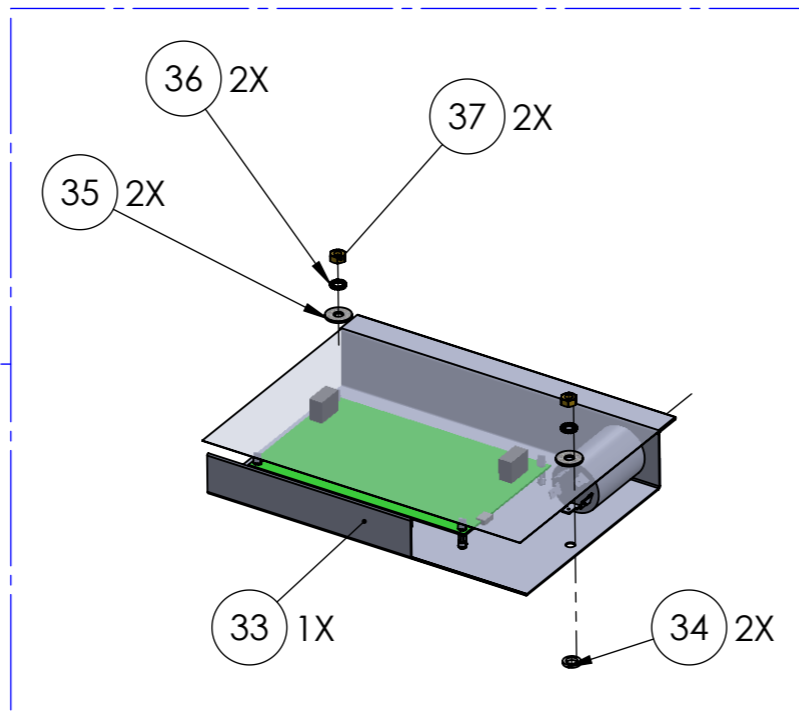
SERIES DESCRIPTION:
DISHWASHER

MODEL DESCRIPTION:
D-LV50-A3P

MODEL VERSION:
220-240V 1~N 50/60 Hz



ITEM NO.	PART NUMBER	DESCRIPTION	QTY.
27	002.35.00029	UPPER RINSING BASE COMPLETE	1
28	002.00.00001	FITTINGS 1/4X10	1
29	002.00.00097	O-RING 20X4	1
30	002.50.00012	INOX AXLE RINSE BASE BL,VE,KN	1
31	002.00.00065	NUT 3/8	1
32	003.50.00027	CONTROL PANEL COMPLETE A500	1
33	003.50.00036	BOARD PANEL COMPLETE A500	1
34	001.00.00045	TEFLON WASHER $\Phi 12,5 \times 8 \times 2,5$	2
35	003.00.00516	WASHER STEEL $\Phi 6 \times 18$	2
36	001.00.00204	GALVANIZED LOCK WASHER 6,4x11x0,7	2
37	003.00.00041	NUT M6 GALVANISED	2



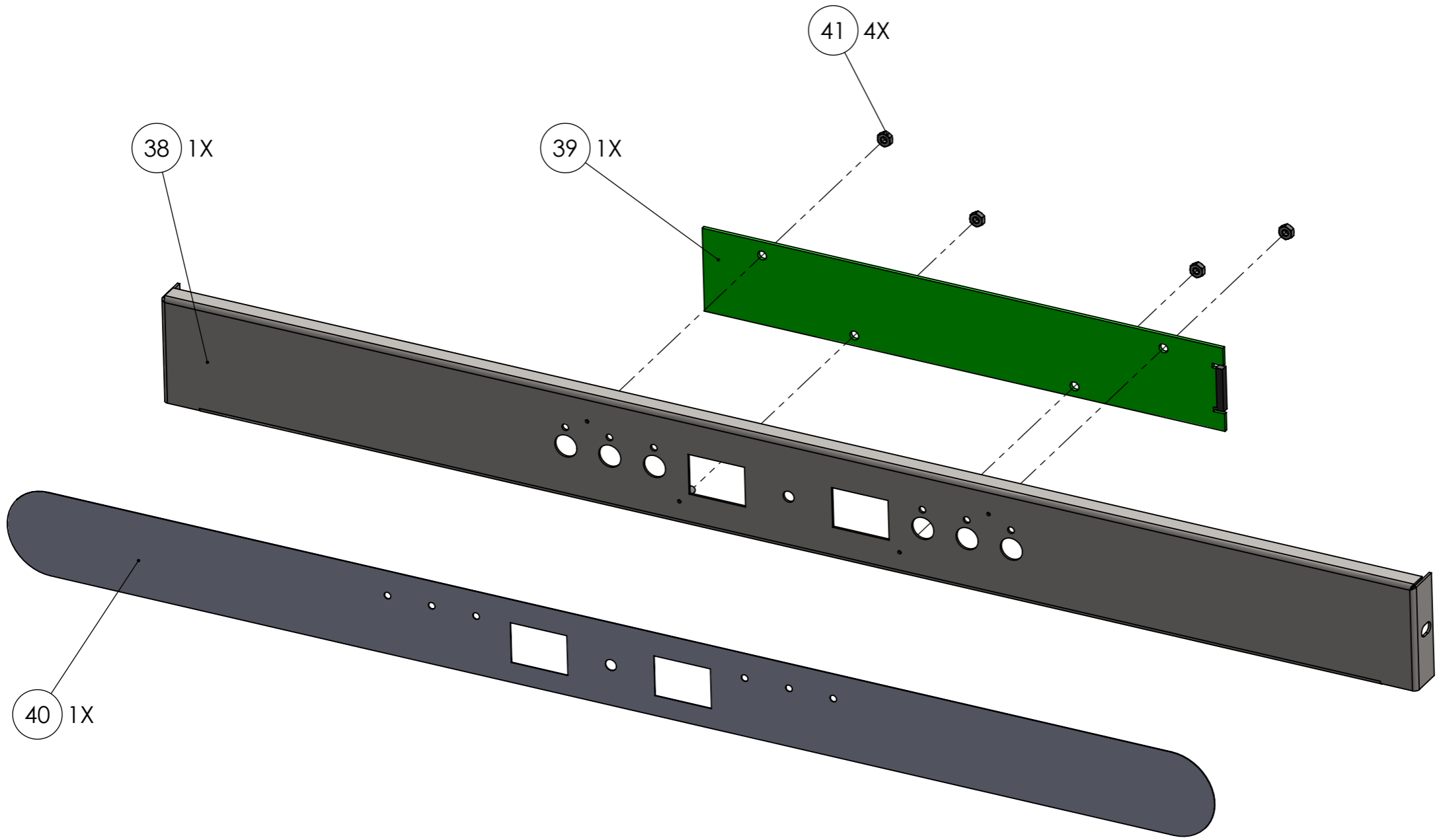
ITEM CODE:	ITEM DESCRIPTION:
MODEL CODE: 004.50.00023	PAGE: 04
	REVISION: 01

SERIES DESCRIPTION:
DISHWASHER

MODEL DESCRIPTION:
D-LV50-A3P

MODEL VERSION:
220-240V 1~N 50/60 Hz

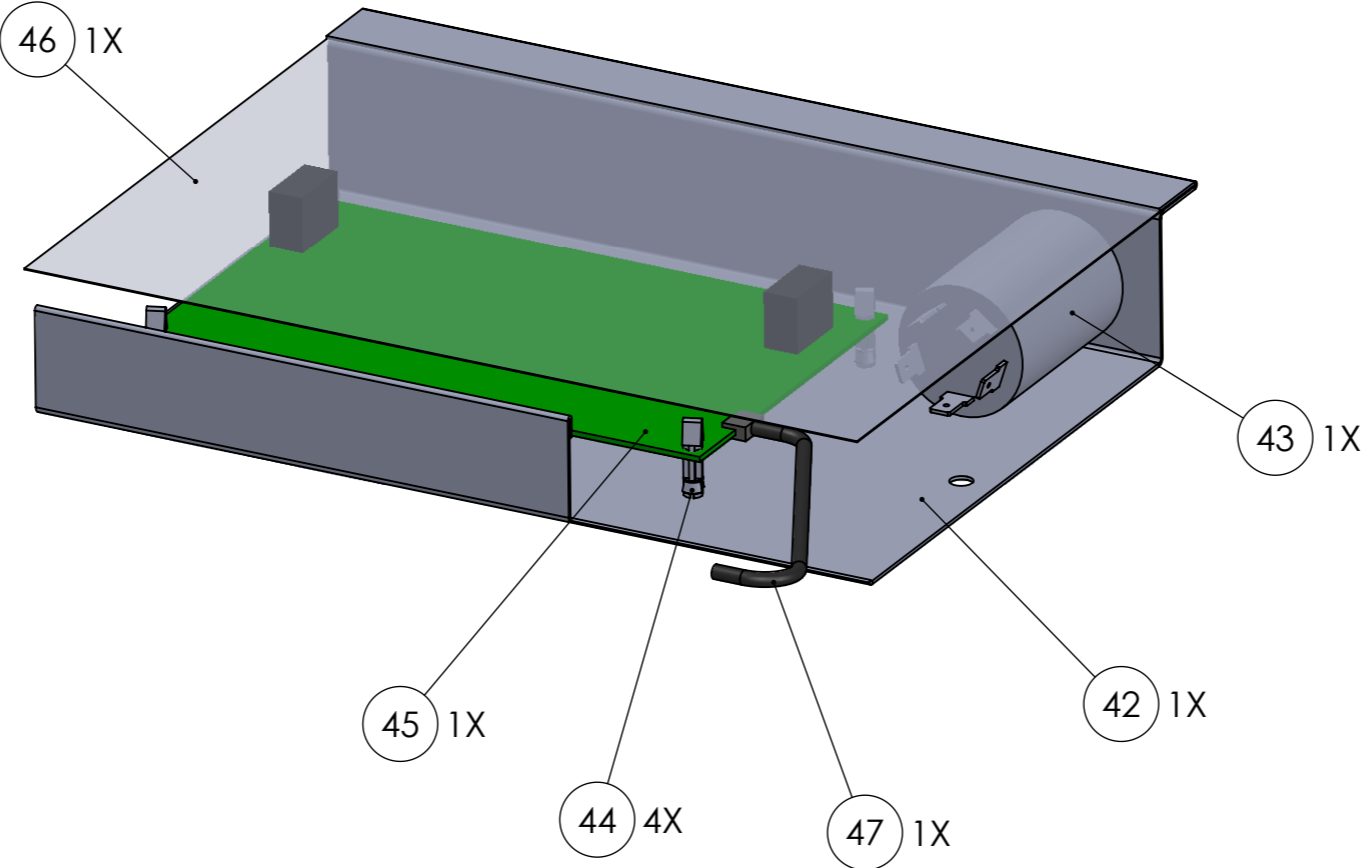
ITEM NO.	PART NUMBER	DESCRIPTION	QTY.
38	001.50.00044	SWITCH PANEL INOX V50	1
39	003.00.00609	USER INTERFACE 7 SEGM. DISPLAY VERSION	1
40	003.50.00026	FILM FOR A500 (LCD)	1
41	002.00.00090	GALV. NUT M3	4



ITEM CODE: 003.50.00027	ITEM DESCRIPTION: CONTROL PANEL COMPLETE A500
MODEL CODE: 004.50.00023	PAGE: 05
	REVISION: 01

SERIES DESCRIPTION: DISHWASHER	MODEL DESCRIPTION: D-LV50-A3P	MODEL VERSION: 220-240V 1~N 50/60 Hz
-----------------------------------	----------------------------------	---

ITEM NO.	PART NUMBER	DESCRIPTION	QTY.
42	001.50.00083	BOARD BASE INOX A500	1
43	003.00.00625	ELECTROMAGNETIC FILTER 250V 50/60Hz 10A 40oC	1
44	003.00.00630	SPACER PCB RC-12 PLASTIC	4
45	003.00.00607	ATLAS MAIN BOARD VERSION	1
46	003.50.00037	COVER PP FOR PANEL A500	1
47	003.00.00610-1	ATLAS CONNECTION CABLE 500mm	1

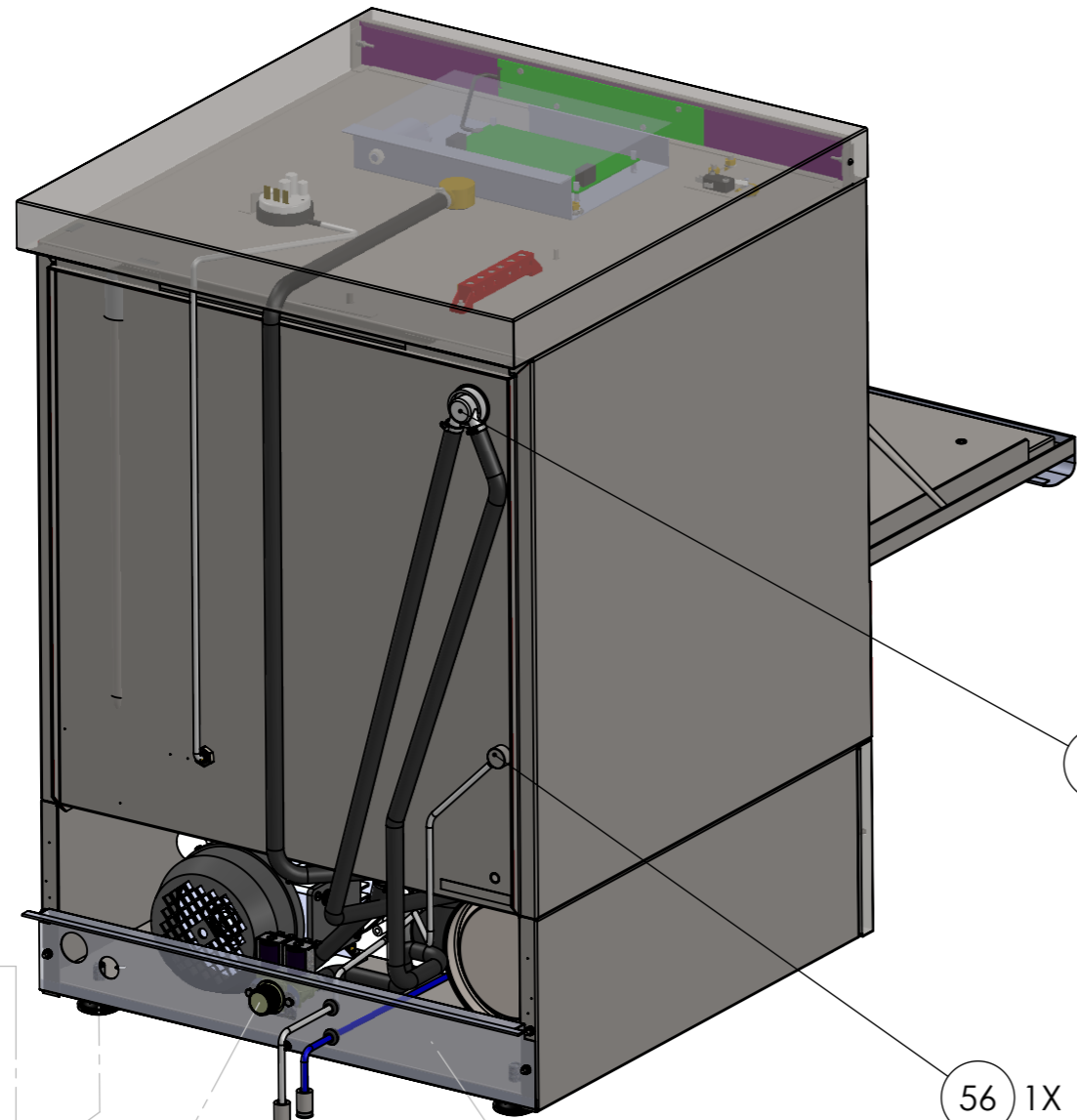


ITEM CODE: 003.50.00036	ITEM DESCRIPTION: BOARD PANEL COMPLETE A500	
MODEL CODE: 004.50.00023	PAGE: 06	REVISION: 01

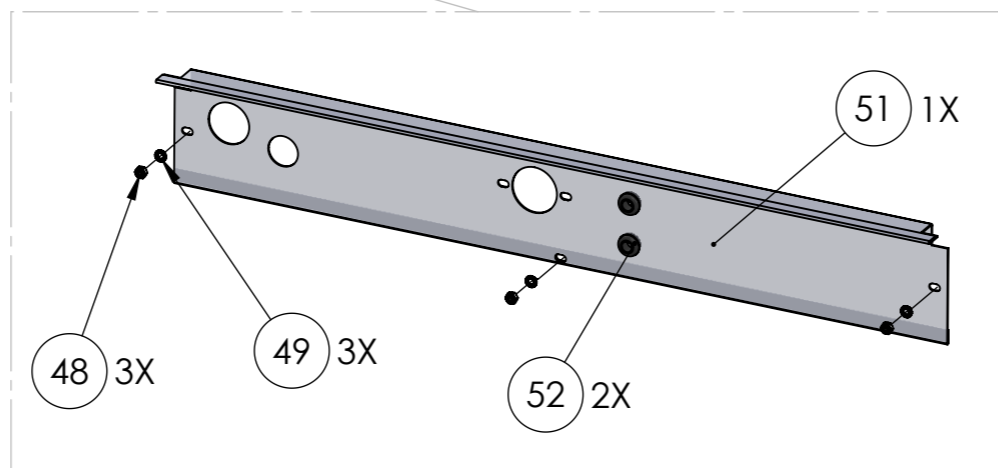
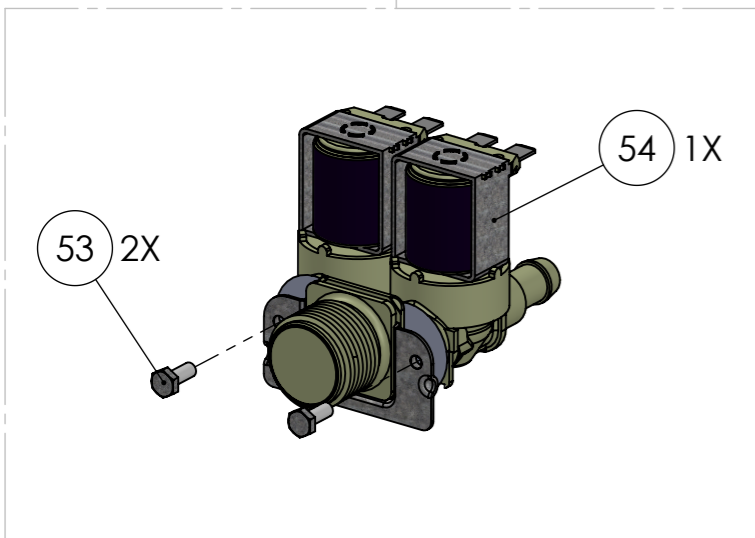
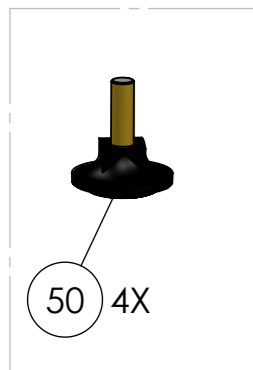
SERIES DESCRIPTION:
DISHWASHER

MODEL DESCRIPTION:
D-LV50-A3P

MODEL VERSION:
220-240V 1~N 50/60 Hz



ITEM NO.	PART NUMBER	DESCRIPTION	QTY.
48	002.00.00095	INOX NUT M4	3
49	002.00.00140	LOCK WASHER INOX Φ4	3
50	001.00.00016	SMALL BLACK FOOT M10	4
51	001.50.00072	INOX LOWER BACK COVER V500	1
52	003.00.00025	CABLE RUBBER PROTECTOR	2
53	003.00.00278	GALV. BOLT M4X10	2
54	003.00.00151	Water Input Valve Double	1
55	003.00.00269	NON RETURN VALVE (DVGW)	1
56	002.00.00233	DETERGENT TANK INJECTOR	1



SERIES DESCRIPTION:
DISHWASHER

MODEL DESCRIPTION:
D-LV50-A3P

MODEL VERSION:
220-240V 1~N 50/60 Hz

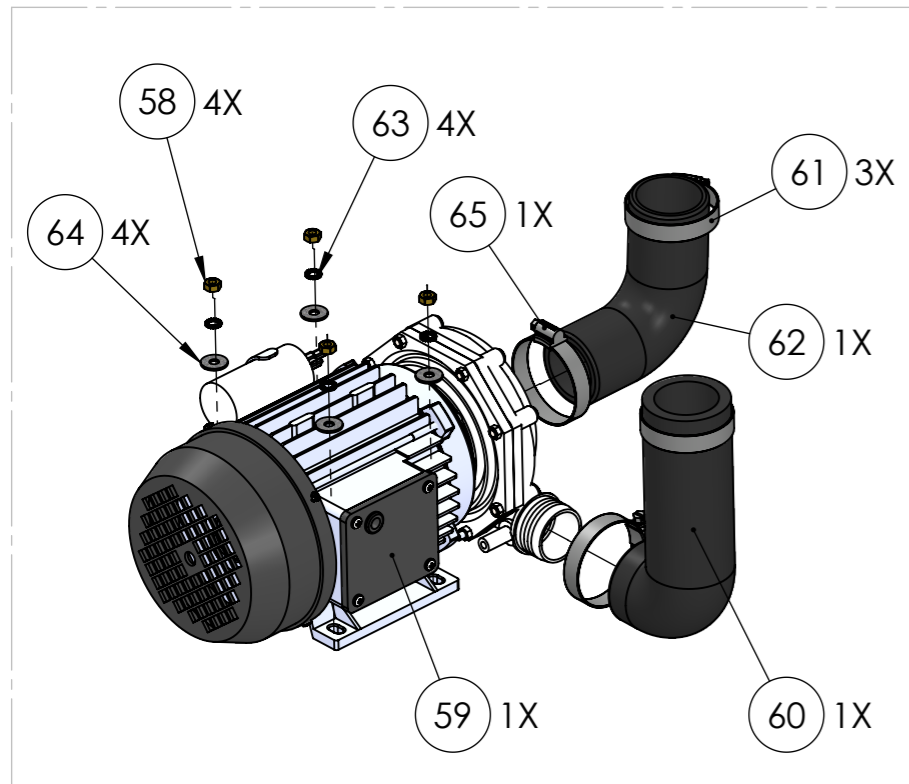
ITEM CODE:

ITEM DESCRIPTION:

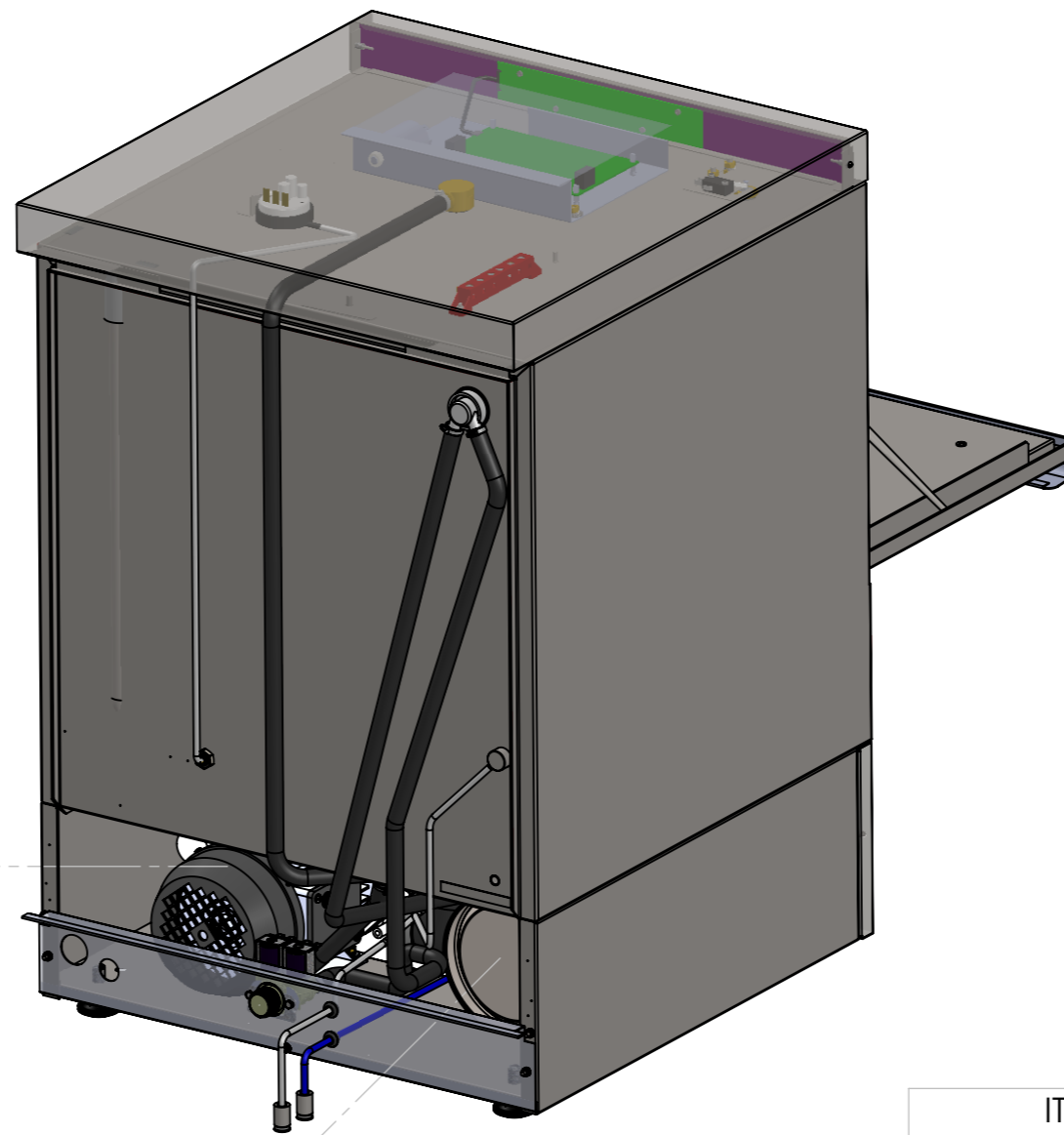
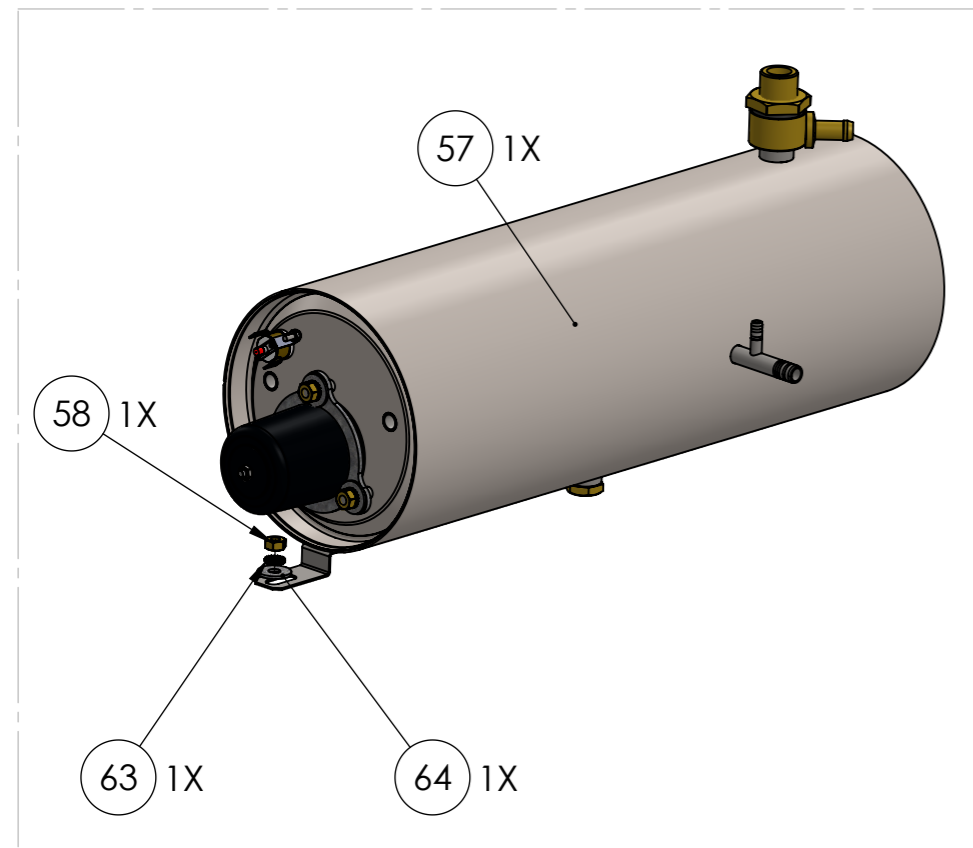
MODEL CODE:
004.50.00023

PAGE:
07

REVISION:
01



ITEM NO.	PART NUMBER	DESCRIPTION	QTY.
57	006.50.00001	BOILER COMPLETE WITH HEATER ELEM. V500	1
58	003.00.00041	NUT M6 GALVANISED	5
59	003.00.00350	PUMP 0,75Hp 50Hz 230V IP44	1
60	002.50.00032-1	WASH PUMP HOSE (OUTLET)	1
61	002.00.00050	CLAMP 40-60	3
62	002.00.00127-1	WASH PUMP HOSE (INPUT)	1
63	001.00.00204	GALVANIZED LOCK WASHER 6,4x11x0,7	5
64	003.00.00516	WASHER STEEL Ø6X18	5
65	002.00.00049	CLAMP 35-50	1



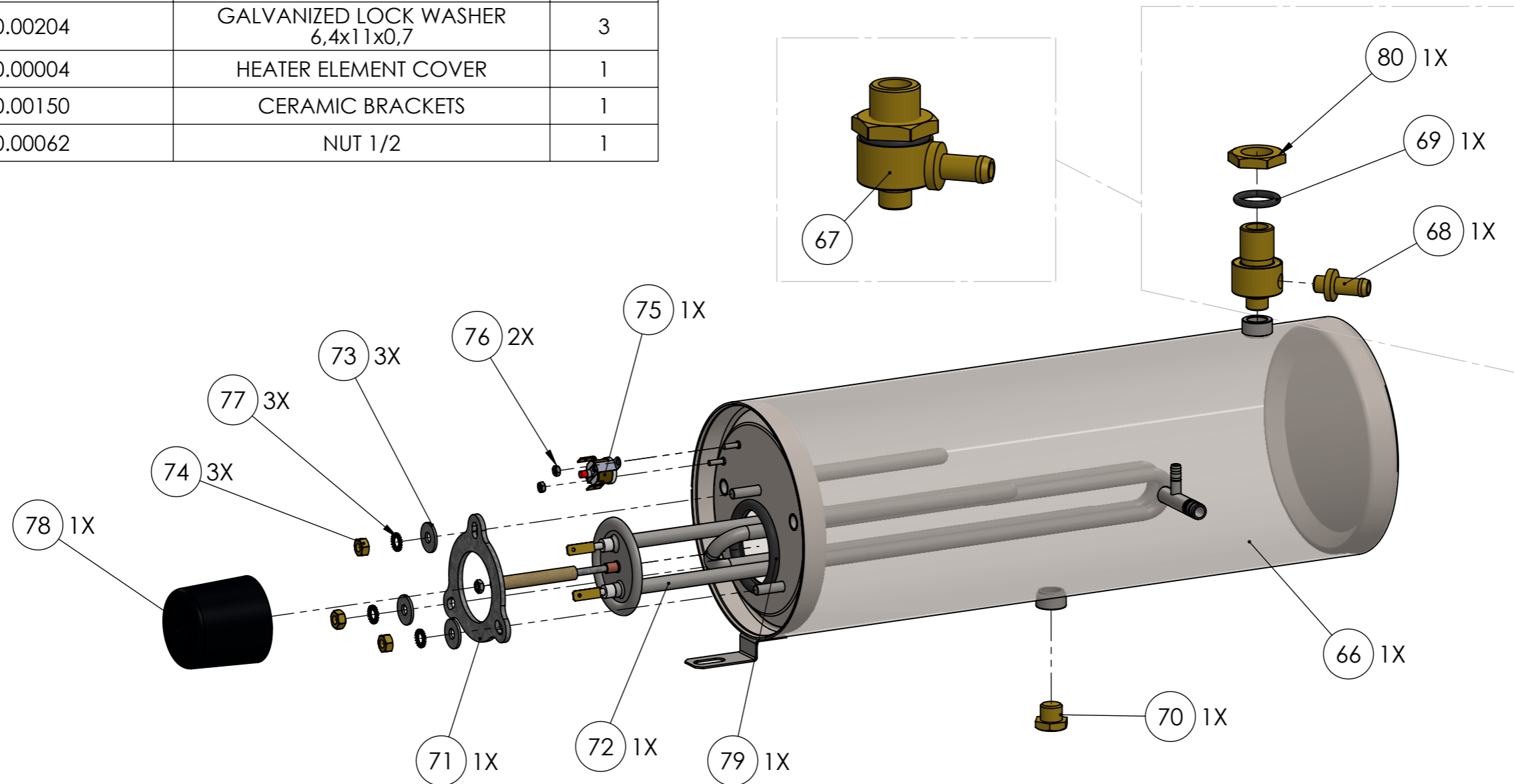
ITEM CODE:	ITEM DESCRIPTION:
MODEL CODE: 004.50.00023	PAGE: 08
	REVISION: 01

SERIES DESCRIPTION:
DISHWASHER

MODEL DESCRIPTION:
D-LV50-A3P

MODEL VERSION:
220-240V 1~N 50/60 Hz

ITEM NO.	PART NUMBER	DESCRIPTION	QTY.
66	001.50.00017	BOILER V500 Φ 140X400	1
67	002.50.00001	OUTLET BASE BOILER V500	1
68	002.00.00001	FITTINGS 1/4X10	1
69	002.00.00097	O-RING 20X4	1
70	002.00.00076	BOILER DRAIN THREADED CAP	1
71	003.00.00260	BOILER ELEMENT FITTING BASE	1
72	003.50.00005	HEATER ELEM. BOILER 3kW / 230V / V-K	1
73	003.00.00516	WASHER STEEL Φ 6X18	3
74	003.00.00041	NUT M6 GALVANISED	3
75	003.00.00180	BOILER THERMOFUSE 105oC	1
76	002.00.00090	GALV. NUT M3	2
77	001.00.00204	GALVANIZED LOCK WASHER 6,4x11x0,7	3
78	003.00.00004	HEATER ELEMENT COVER	1
79	002.00.00150	CERAMIC BRACKETS	1
80	002.00.00062	NUT 1/2	1



SERIES DESCRIPTION:
DISHWASHER

MODEL DESCRIPTION:
D-LV50-A3P

MODEL VERSION:
220-240V 1~N 50/60 Hz

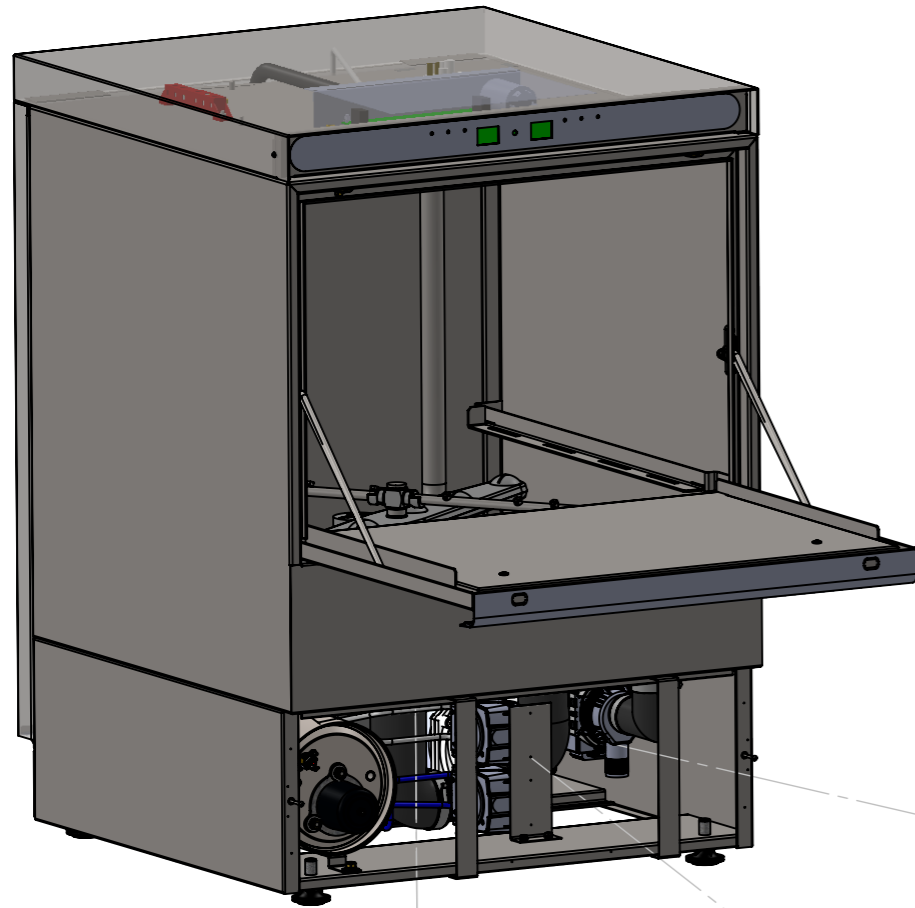
ITEM CODE:
006.50.00001

MODEL CODE:
004.50.00023

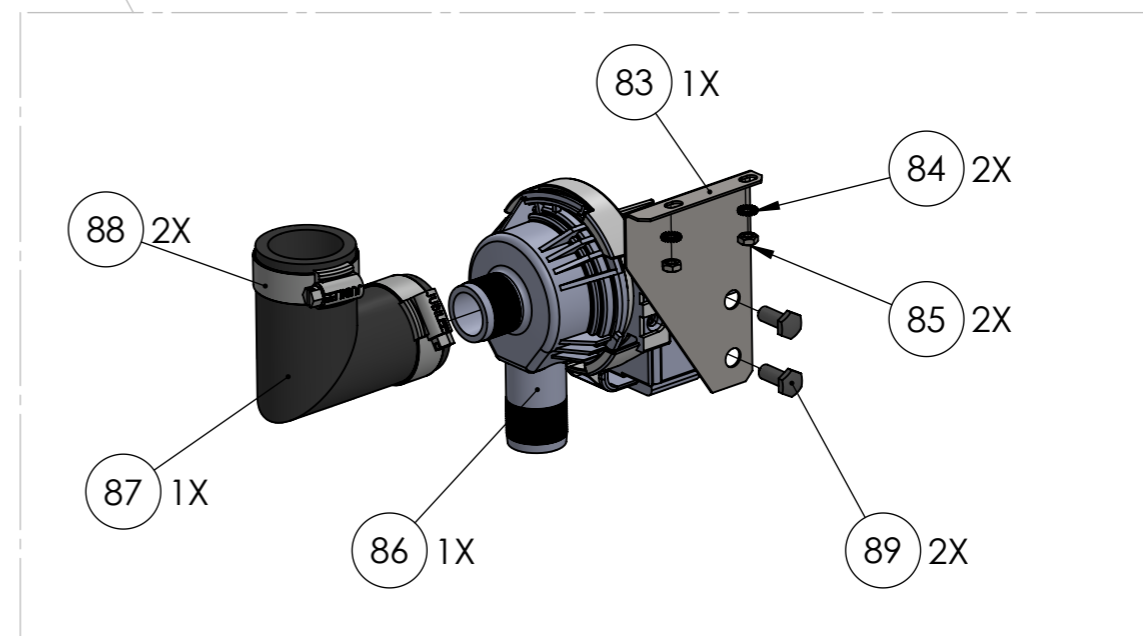
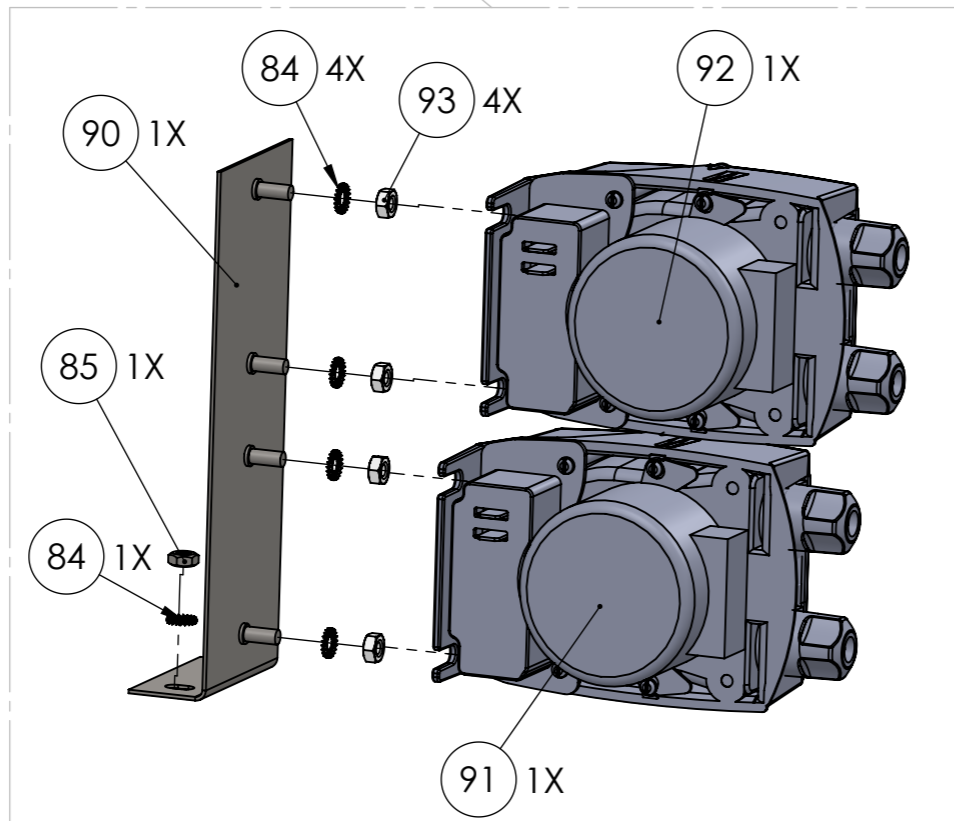
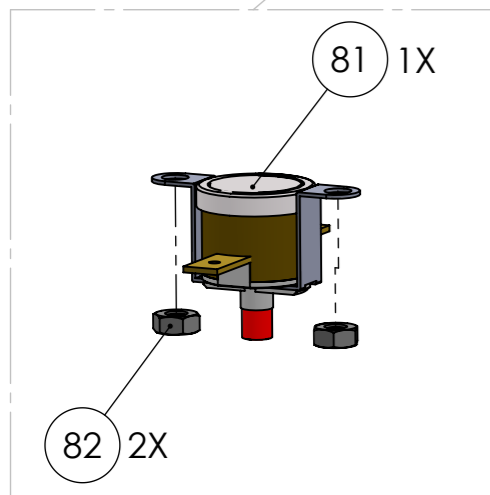
ITEM DESCRIPTION:
BOILER COMPLETE WITH
HEATER ELEM. V500

PAGE:
09

REVISION:
01



ITEM NO.	PART NUMBER	DESCRIPTION	QTY.
81	003.00.00168	THERMOFUSE TANK 90C	1
82	002.00.00090	GALV. NUT M3	2
83	001.50.00065	INOX BASE FOR DRAINING PUMP V500	1
84	002.00.00140	LOCK WASHER INOX Φ4	8
85	003.00.00046	NUT M4 (GALV)	4
86	003.00.00184	TANK DRAINING PUMP 230V / 65W	1
87	002.50.00014	DRAINING PUMP INLET PIPE V500	1
88	002.00.00048	CLAMP 25-40	2
89	003.00.00485	M6 GALVANISED BOLT	2
90	001.50.00078	BRACKET FOR TWO PERISTALTIC PUMPS V500	1
91	003.00.00433	PERISTALTIC RINSE AID PUMP G302 / 230V	1
92	003.00.00429	PERISTALTIC DETERGENT PUMP G300 / 230V	1
93	002.00.00095	INOX NUT M4	4



SERIES DESCRIPTION:
DISHWASHER

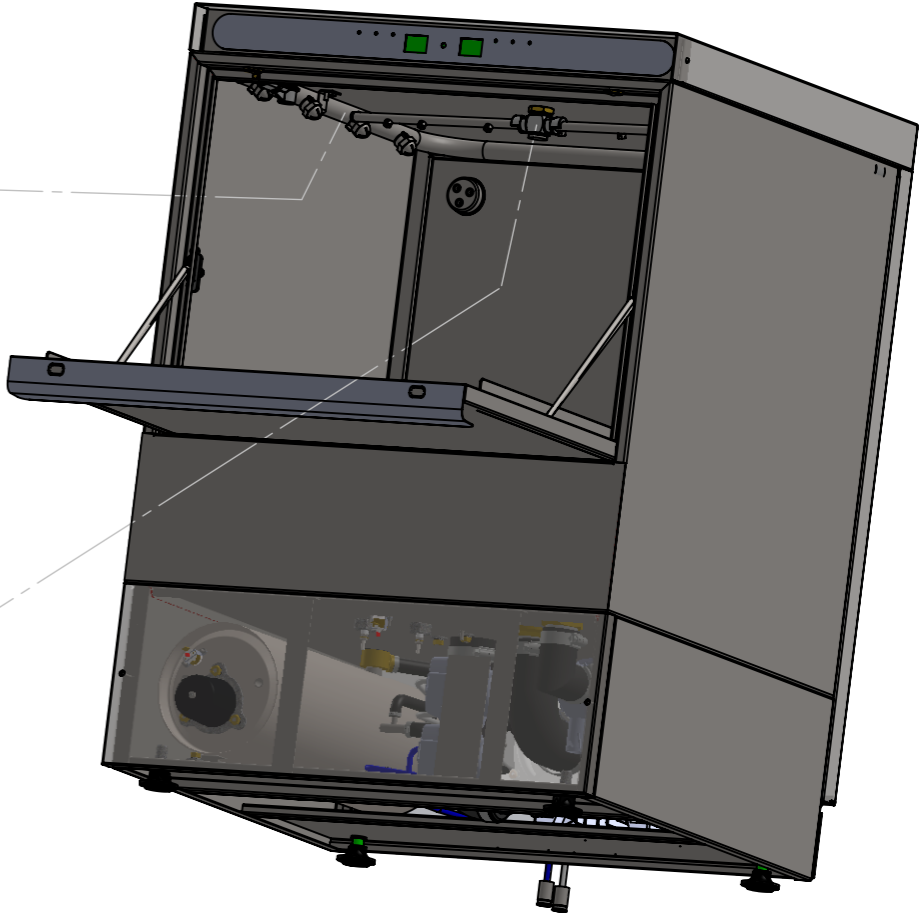
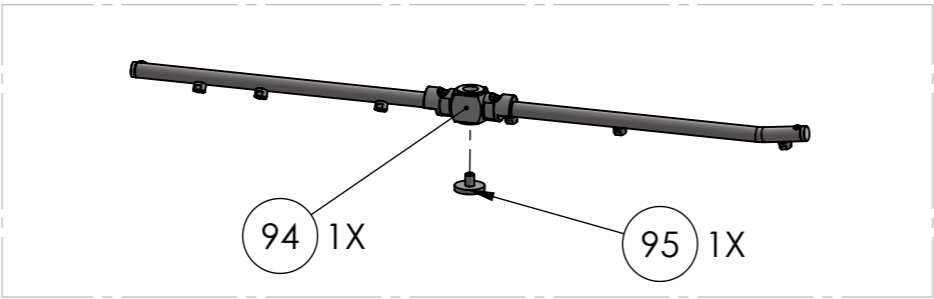
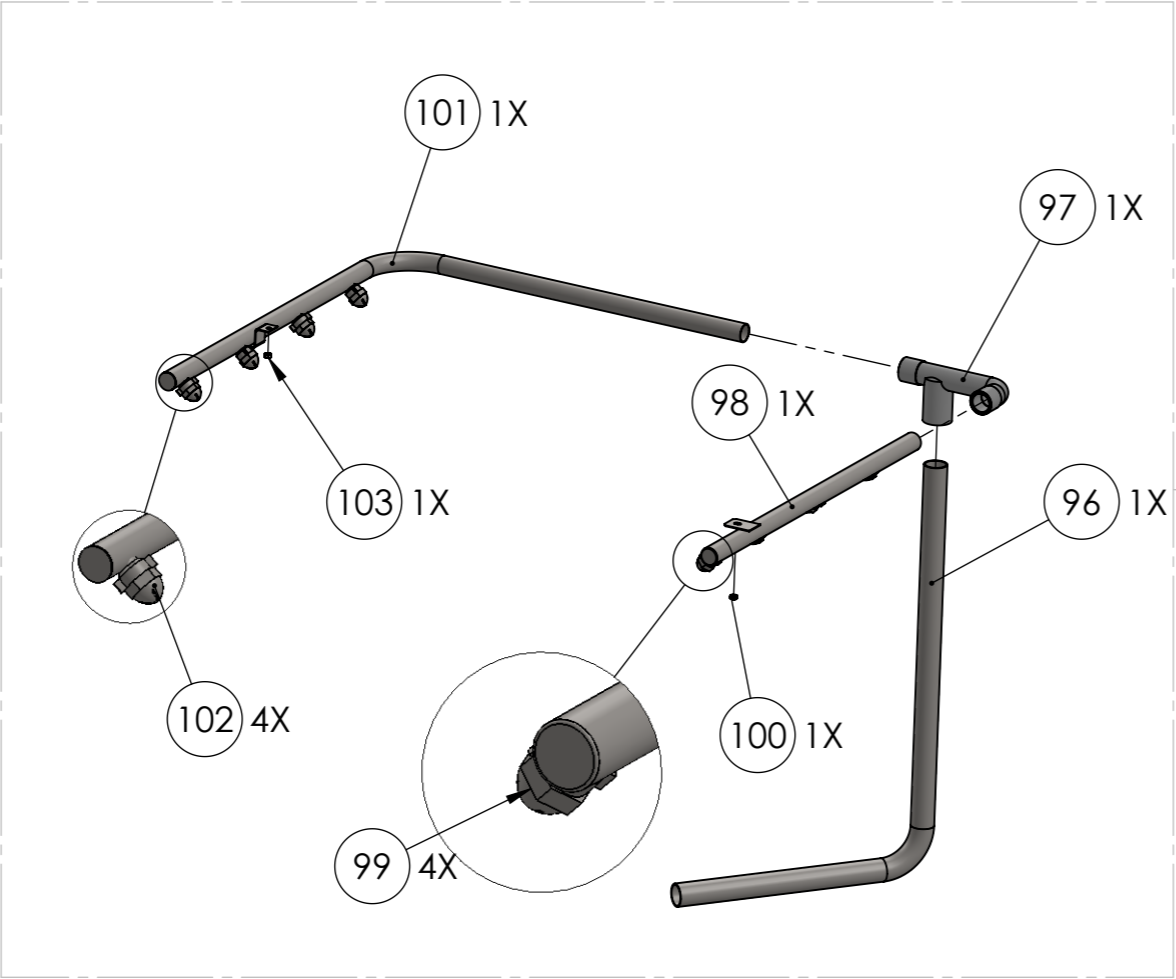
MODEL DESCRIPTION:
D-LV50-A3P

MODEL VERSION:
220-240V 1~N 50/60 Hz

ITEM CODE:
MODEL CODE:
004.50.00023

ITEM DESCRIPTION:
PAGE:
10
REVISION:
01

ITEM NO.	PART NUMBER	DESCRIPTION	QTY.
94	002.50.00026	RINSING ARM UP OR DOWN V-K	1
95	002.50.00004	LOCK NUT FOR RINSING ARM	1
96	002.50.00018	WASHING UPPER SYSTEM INOX SUPPLY PIPE	1
97	002.50.00017	CONNECTOR WASHING SYSTEM PLASTIC	1
98	002.50.00020	WASHING UPPER SYSTEM INOX UP-RIGHT	1
99	002.50.00030	SPRAYER FOR UPPER WASH ARMS	4
100	002.00.00095	INOX NUT M4	1
101	002.50.00019	WASHING UPPER SYSTEM INOX UP-LEFT	1
102	002.50.00030	SPRAYER FOR UPPER WASH ARMS	4
103	002.00.00095	INOX NUT M4	1



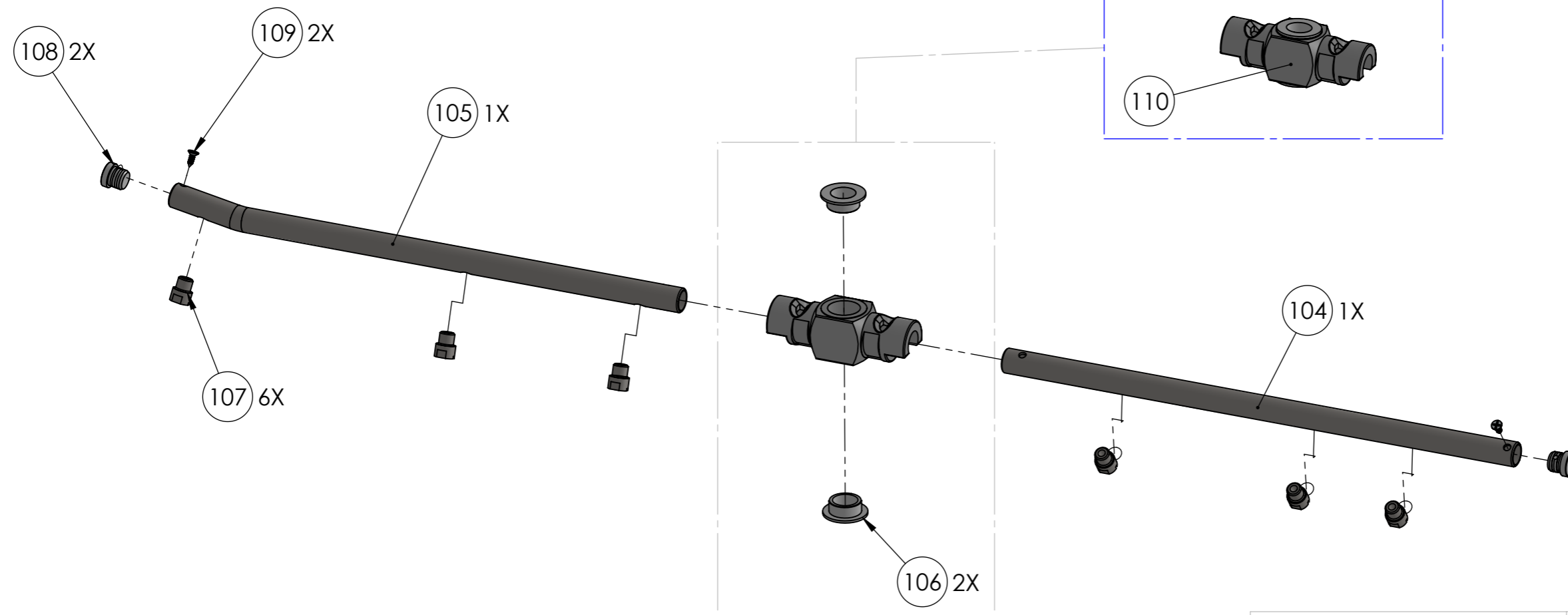
ITEM CODE:	ITEM DESCRIPTION:
MODEL CODE: 004.50.00023	PAGE: 11
	REVISION: 01

SERIES DESCRIPTION:
DISHWASHER

MODEL DESCRIPTION:
D-LV50-A3P

MODEL VERSION:
220-240V 1~N 50/60 Hz

ITEM NO.	PART NUMBER	DESCRIPTION	QTY.
104	002.50.00005 (B)	RINSING ARM SINGLE - B	1
105	002.50.00005 (A)	RINSING ARM - A	1
106	002.00.00230	TEFLON Φ 18X6	2
107	002.11.00008	SPRAYER FOR RINSING ARM BL,EU,VE,KN,1500	6
108	002.00.00277	CAP FOR RINSE ARMS	2
109	001.00.00073	INOX SCREW 2,9 X 10	2
110	002.50.00025	PLASTIC BASE FOR RINSING ARMS	1



SERIES DESCRIPTION:
DISHWASHER

MODEL DESCRIPTION:
D-LV50-A3P

MODEL VERSION:
220-240V 1~N 50/60 Hz

ITEM CODE:

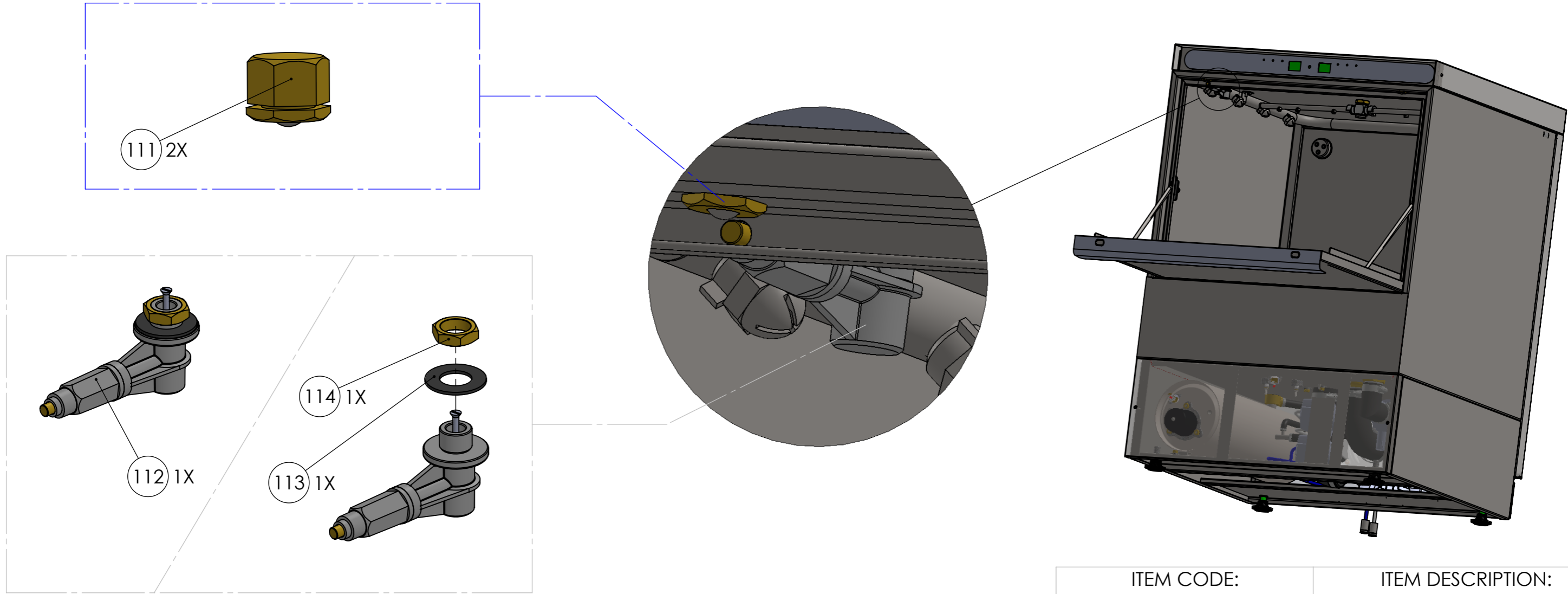
MODEL CODE:
004.50.00023

ITEM DESCRIPTION:

PAGE:
12

REVISION:
01

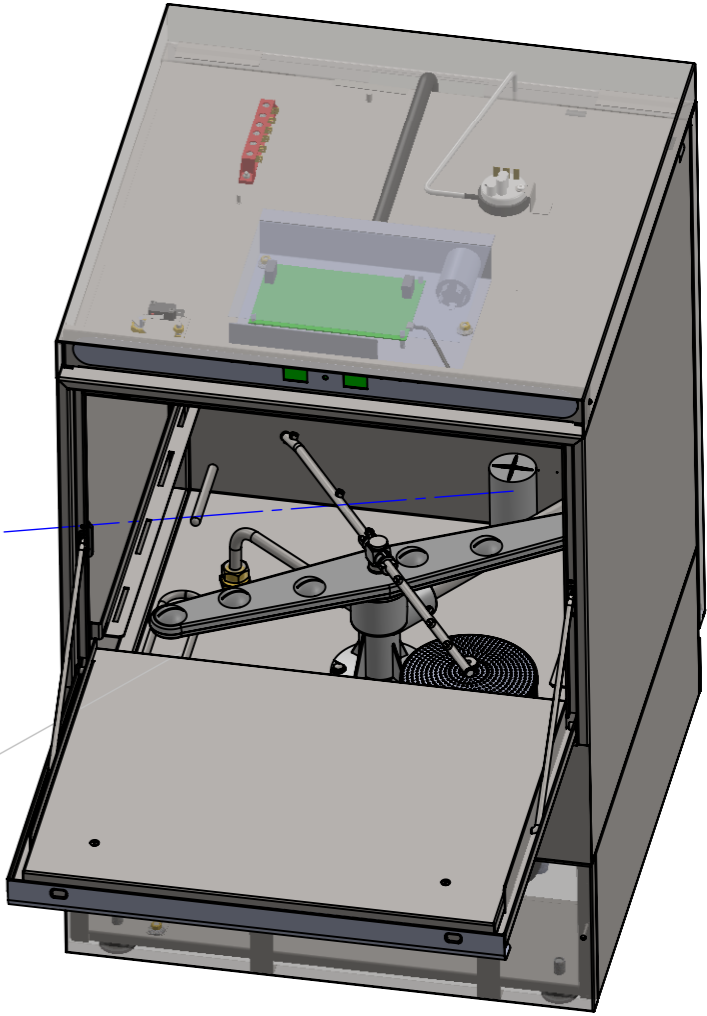
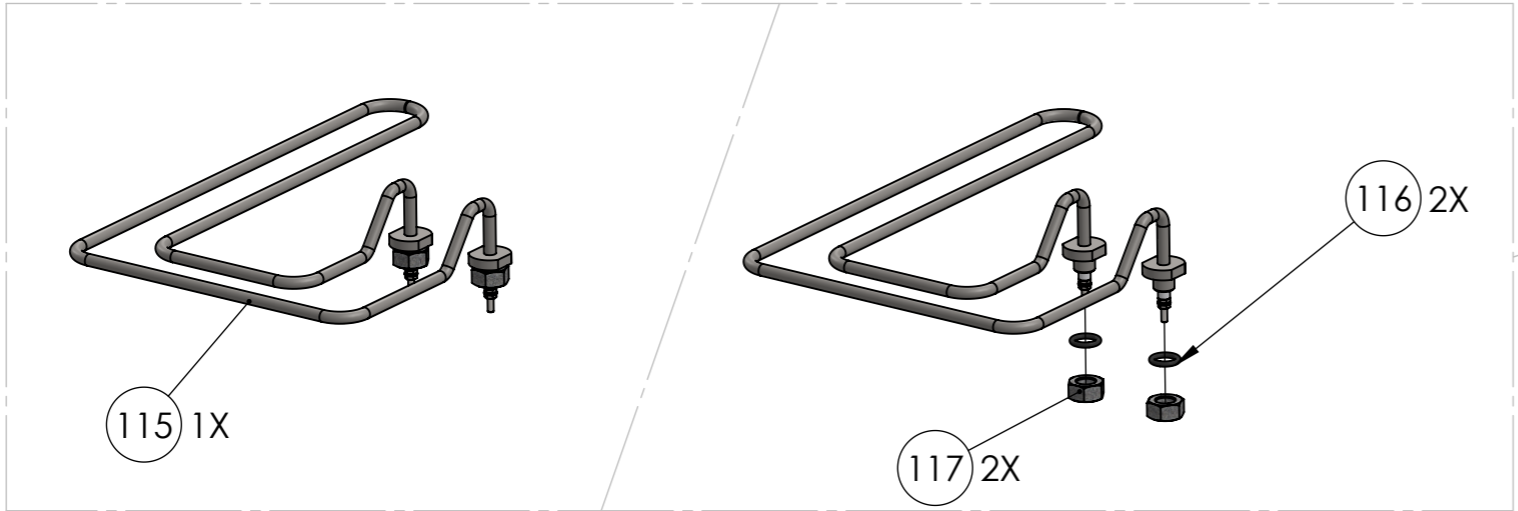
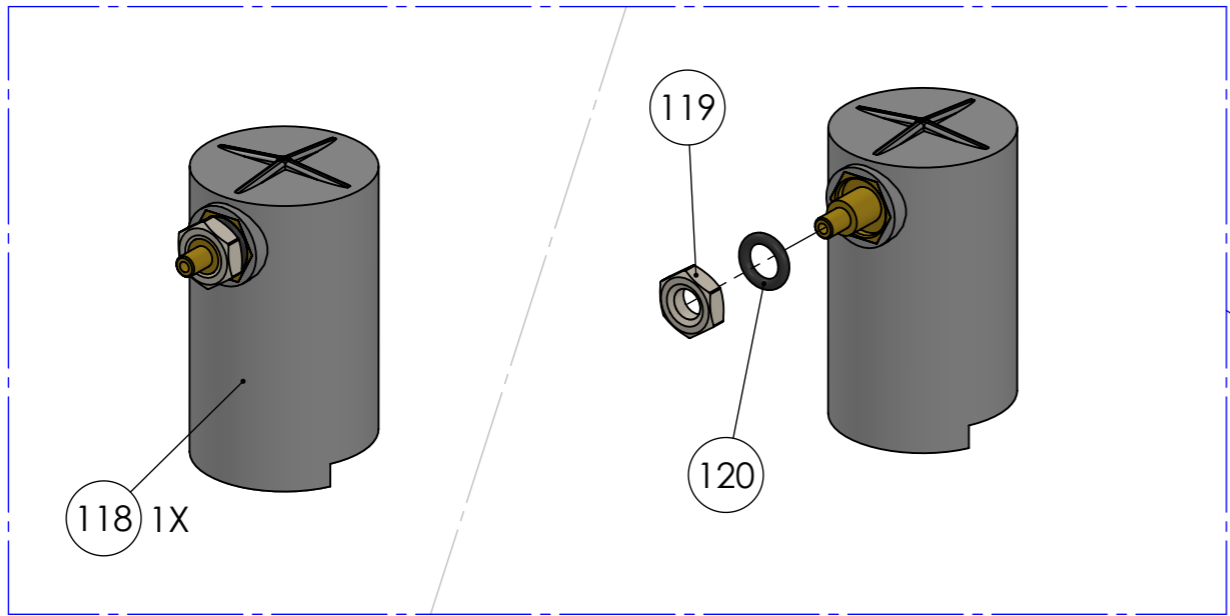
ITEM NO.	PART NUMBER	DESCRIPTION	QTY.
111	001.00.00051	DOOR SNAP SET	2
112	003.00.00231	DOOR SWITCH MECH. PART	1
113	003.00.00489	RUBBER GASKET 16X30X3	1
114	003.00.00071	NUT FOR DOOR SWITCH	1



ITEM CODE:	ITEM DESCRIPTION:
MODEL CODE: 004.50.00023	PAGE: 13
	REVISION: 01

SERIES DESCRIPTION: DISHWASHER	MODEL DESCRIPTION: D-LV50-A3P	MODEL VERSION: 220-240V 1~N 50/60 Hz
-----------------------------------	----------------------------------	---

ITEM NO.	PART NUMBER	DESCRIPTION	QTY.
115	003.50.00008	HEATER ELEMENT TANK 2,8 kW / 230V	1
116	002.00.00100	O-RING 14X3.5	2
117	003.00.00074	NUT 14 (GALV.)	2
118	003.00.00014	PRESSOSTAT CHAMBER	1
119	002.00.00087	NUT M10	1
120	002.00.00091	ORING 3X10,5	1



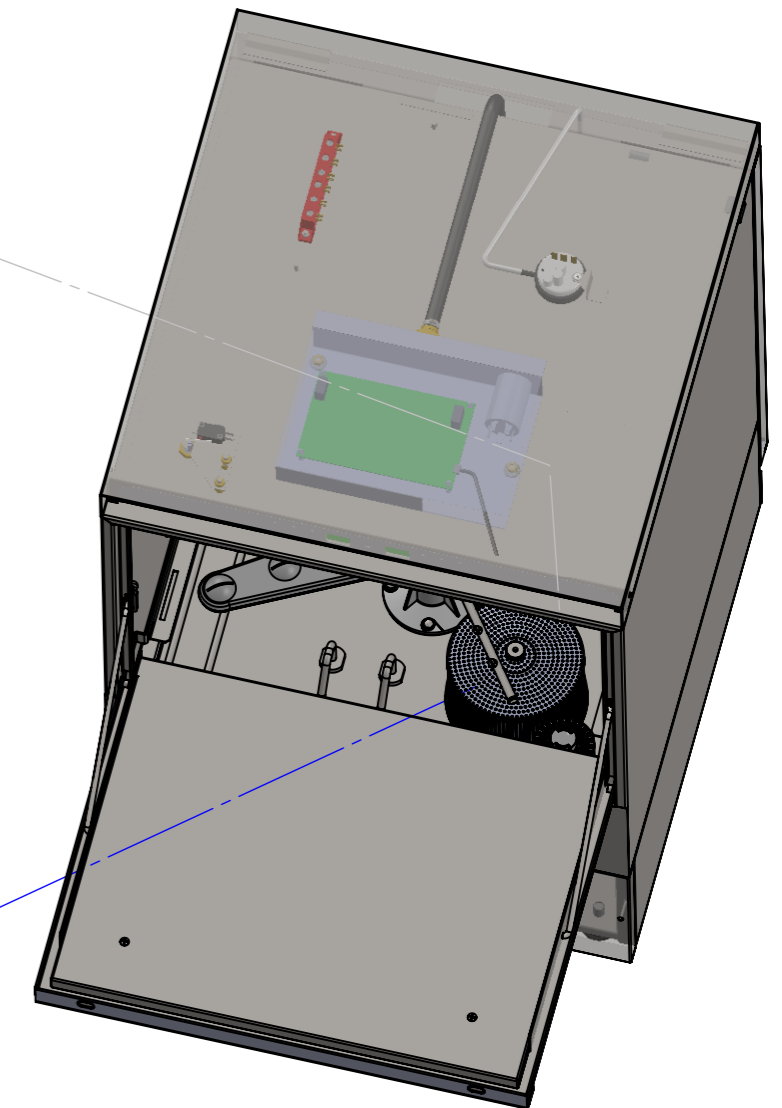
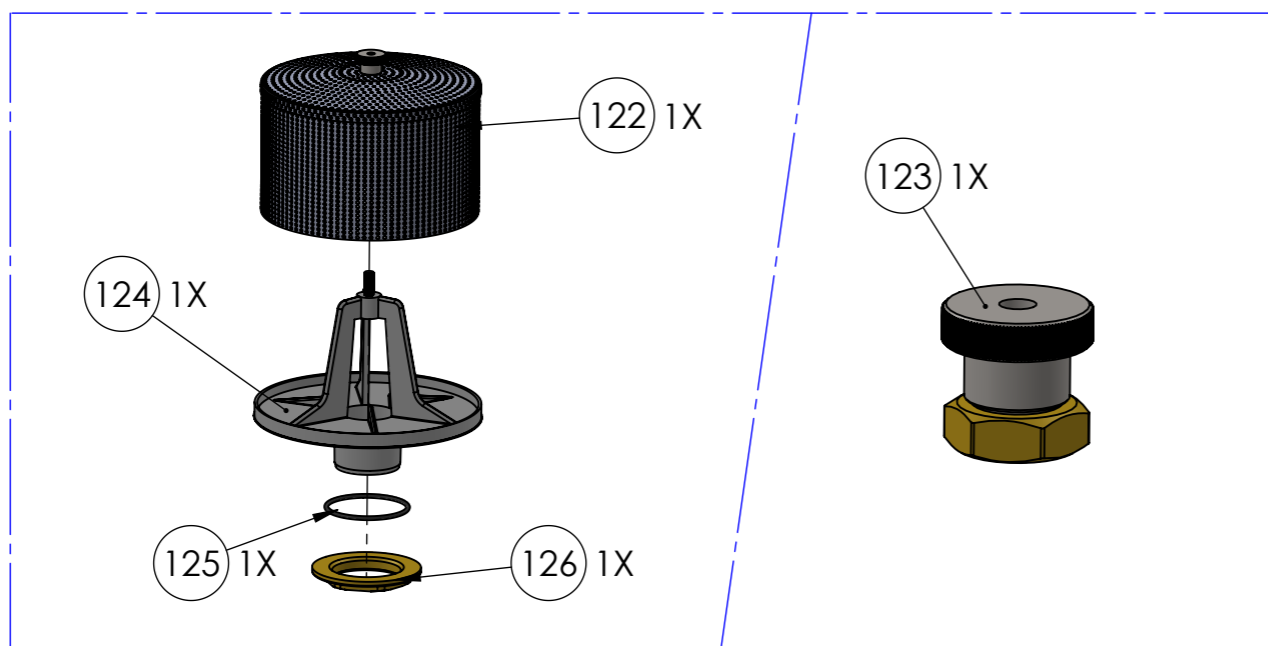
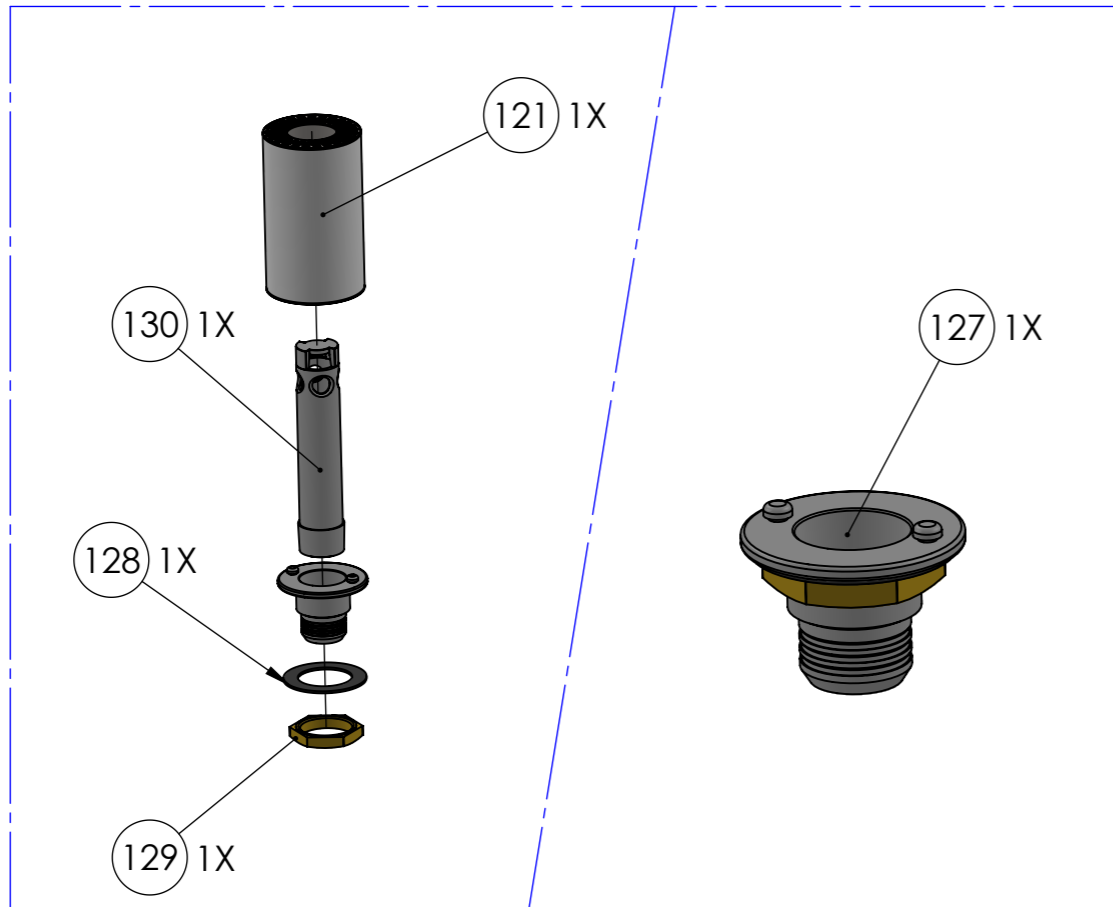
ITEM CODE:	ITEM DESCRIPTION:
MODEL CODE: 004.50.00023	PAGE: 14
	REVISION: 01

SERIES DESCRIPTION:
DISHWASHER

MODEL DESCRIPTION:
D-LV50-A3P

MODEL VERSION:
220-240V 1~N 50/60 Hz

ITEM NO.	PART NUMBER	DESCRIPTION	QTY.
121	001.50.00040	DRAIN PUMP FILTER V500	1
122	001.70.00000	FILTER IN THE TANK FOR THE PUMP V-KN	1
123	001.00.00017	FILTER RETAINING NUT	1
124	002.00.00081	PLASTIC BASE FOR TANK FILTER V-K	1
125	002.00.00093	ORING 52X2,5	1
126	002.00.00037	NUT 1 1/2"	1
127	002.00.00257	DRAIN & OVERFLOW VALVE PLASTIC BASE	1
128	002.00.00238	RUBBER GASKET 35X55X1	1
129	002.00.00133	BRONZE NUT M36	1
130	002.50.00037	DRAIN AND OVERFLOW VALVE PLASTIC PART NEW V-K	1



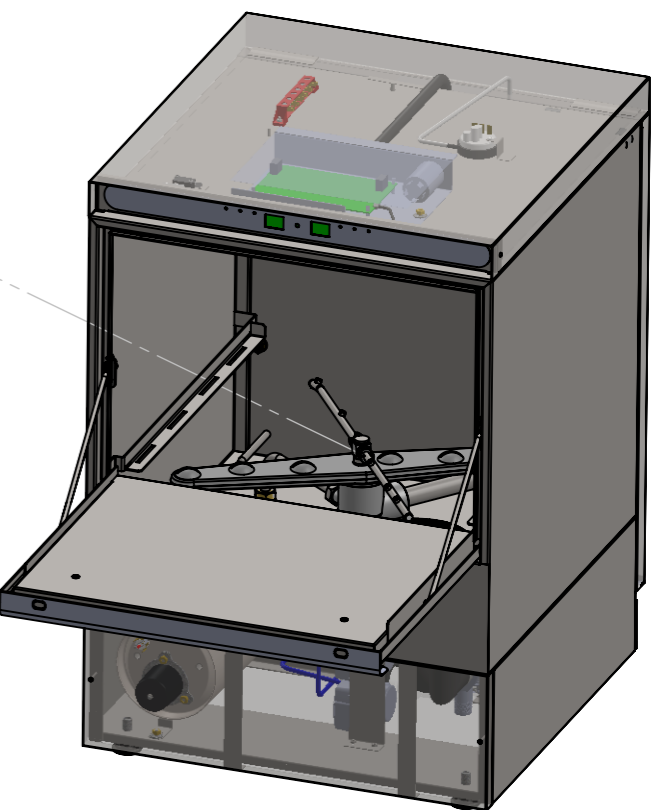
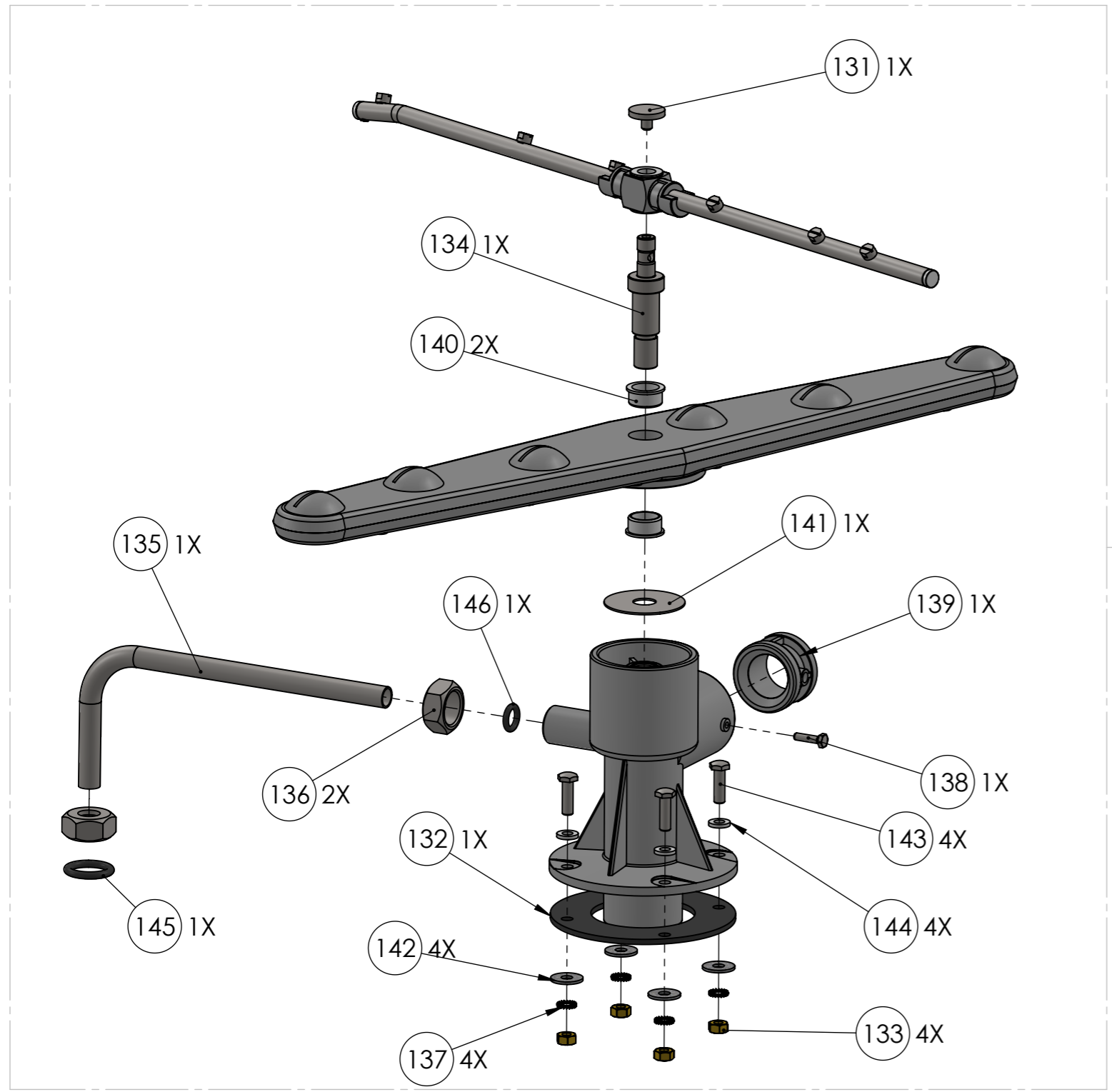
ITEM CODE:	ITEM DESCRIPTION:
MODEL CODE: 004.50.00023	PAGE: 15
	REVISION: 01

SERIES DESCRIPTION:
DISHWASHER

MODEL DESCRIPTION:
D-LV50-A3P

MODEL VERSION:
220-240V 1~N 50/60 Hz

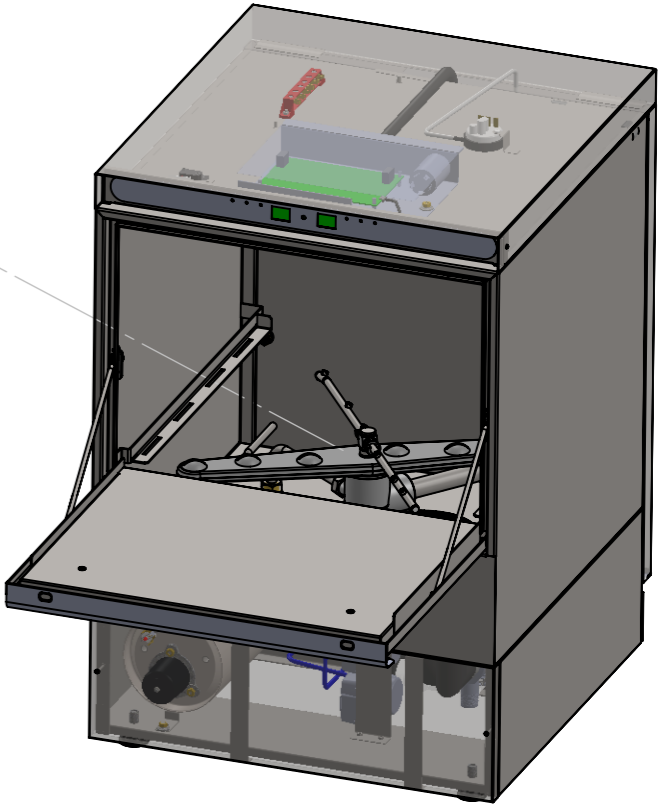
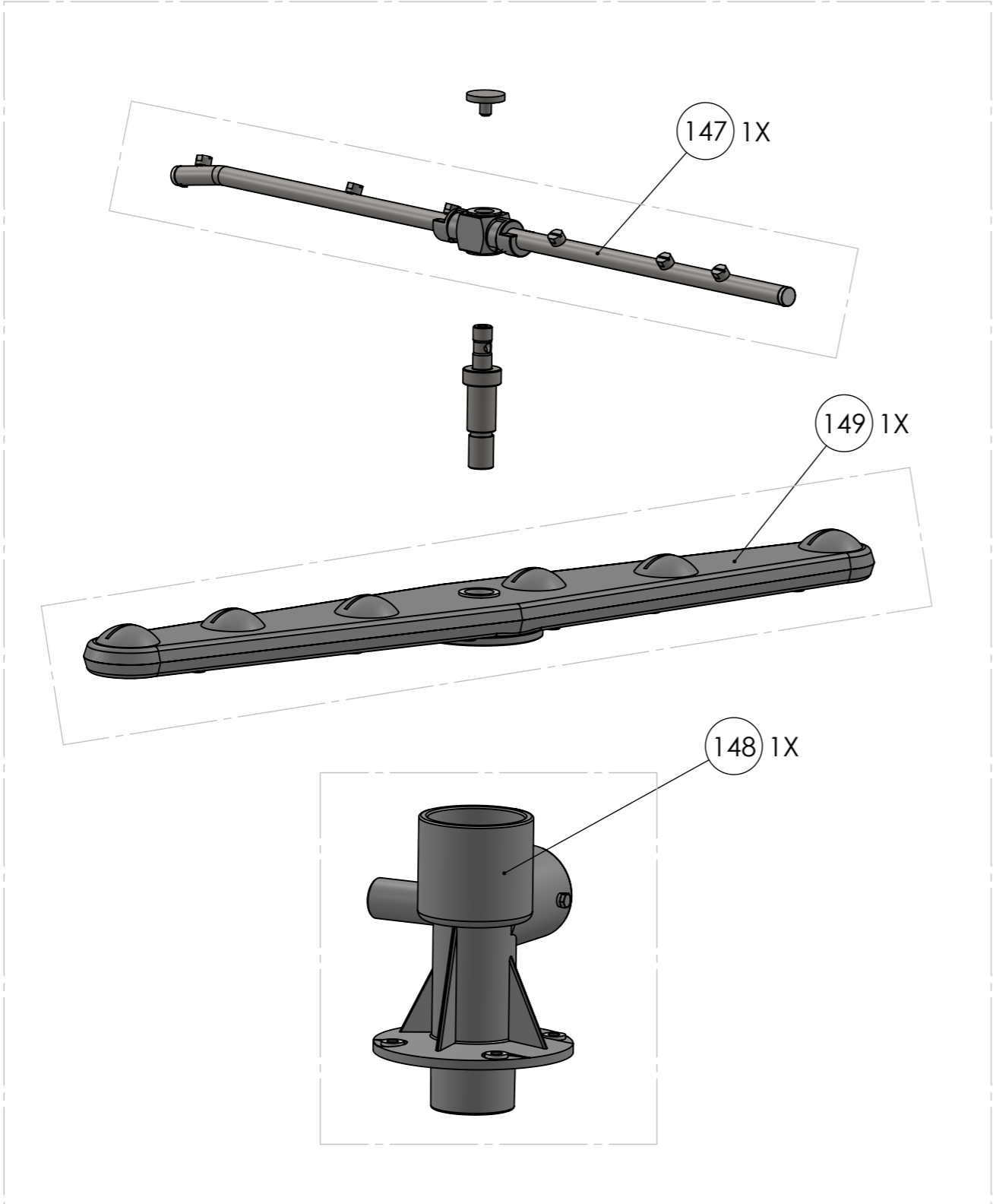
ITEM NO.	PART NUMBER	DESCRIPTION	QTY.
131	002.50.00004	LOCK NUT FOR RINSING ARM	1
132	002.00.00105	RUBBER GASKET 103X58X3	1
133	003.00.00041	NUT M6 GALVANISED	4
134	002.11.00002	AXLE INOX FOR BASE DOWN V500	1
135	002.50.00022	RINSE PIPE INOX V-K	1
136	002.00.00144	RINSE PIPE RETAINING NUT	2
137	001.00.00204	GALVANIZED LOCK WASHER 6,4x11x0,7	4
138	003.00.00106	INOX HEX BOLT M4X15	1
139	002.50.00024	ADAPTOR Φ 40-25 FOR WASH BASE	1
140	002.00.00229	TEFLON Φ 23X10	2
141	002.50.00016	FLOW CONTROL DISK FOR BASE V-K	1
142	003.00.00516	WASHER STEEL Φ 6X18	4
143	003.00.00104	INOX HEX BOLT M6X20	4
144	002.00.00169	TEFLON 12-6-2	4
145	002.00.00071	O-RING 20X4	1
146	002.00.00091	ORING 3X10,5	1



ITEM CODE:	ITEM DESCRIPTION:
MODEL CODE: 004.50.00023	PAGE: 16
	REVISION: 01

SERIES DESCRIPTION: DISHWASHER	MODEL DESCRIPTION: D-LV50-A3P	MODEL VERSION: 220-240V 1~N 50/60 Hz
-----------------------------------	----------------------------------	---

ITEM NO.	PART NUMBER	DESCRIPTION	QTY.
147	002.50.00026	RINSING ARM UP OR DOWN V-K	1
148	002.50.00036	WASHING BASE DOWN V-K COMPLETE	1
149	002.50.00006	LOWER WASHING ARM V50	1

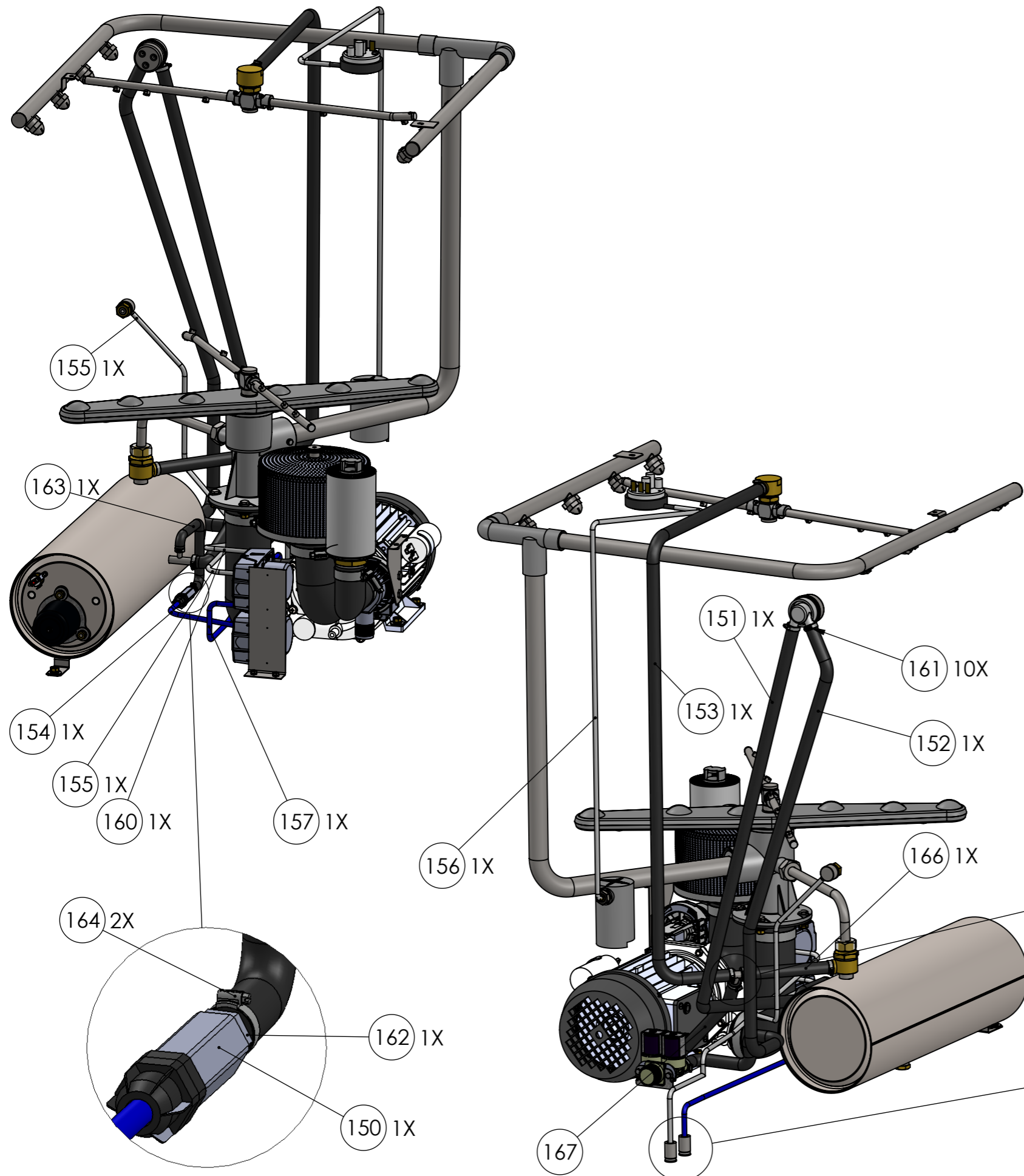


ITEM CODE:	ITEM DESCRIPTION:
MODEL CODE: 004.50.00023	PAGE: 17
	REVISION: 01

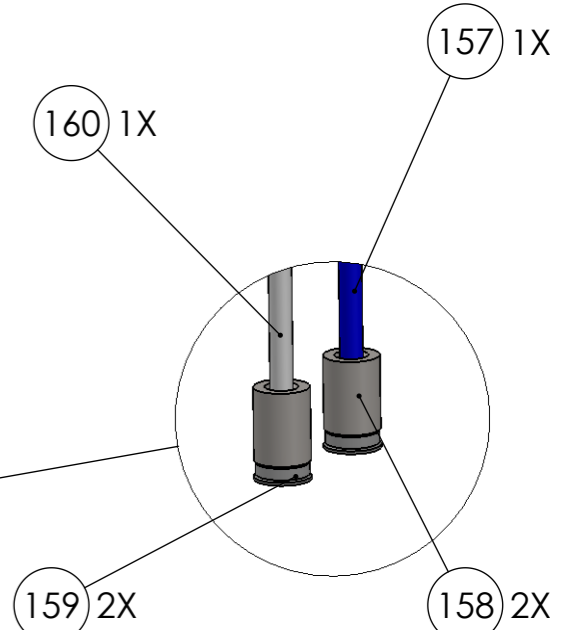
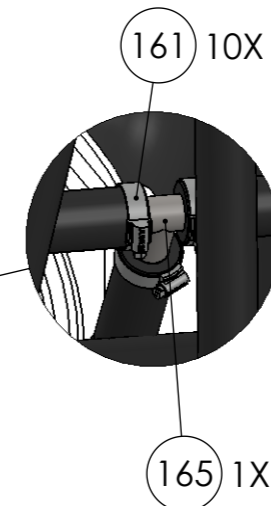
SERIES DESCRIPTION:
DISHWASHER

MODEL DESCRIPTION:
D-LV50-A3P

MODEL VERSION:
220-240V 1~N 50/60 Hz



ITEM NO.	PART NUMBER	DESCRIPTION	QTY.
150	002.00.00002	NON RETURN VALVE FOR RINSE AID PUMP	1
151	002.00.00119-14	WASHING MACHINE HOSE BLACK 10X16.5	1
152	002.00.00119-12	WASHING MACHINE HOSE BLACK 10X16.5	1
153	002.00.00119-15	WASHING MACHINE HOSE BLACK 10X16.5	1
154	003.00.00487-6	TUBE PVC BLUE 4X6	1
155	003.00.00140_9	TUBO CRISTALLO 4X6	1
156	003.00.00140_8	TUBO CRISTALLO 4X6	1
157	003.00.00487-5	TUBE PVC BLUE 4X6	1
158	002.00.00195	BALANCE F15X20	2
159	002.00.00242	FILTER PLASTIC FOR RINSE AID VALVE	2
160	003.00.00140_10	TUBO CRISTALLO 4X6	1
161	002.00.00052	CLAMP 10-16	10
162	002.00.00287	FITTINGS 1/8x7	1
163	002.00.00132-2	WASHING MACHINE HOSE BLACK 6X12	1
164	002.00.00231	CLAMP 8-12	2
165	002.51.00007	T-CONNECTION BOLIER KNOSSOS	1
166	002.00.00119-16	WASHING MACHINE HOSE BLACK 10X16.5	1
167	002.00.00119-17	WASHING MACHINE HOSE BLACK 10X16.5	1



SERIES DESCRIPTION:
DISHWASHER

MODEL DESCRIPTION:
D-LV50-A3P

MODEL VERSION:
220-240V 1~N 50/60 Hz

MODEL CODE:
004.50.00023

PAGE:
18

REVISION:
01

ITEM CODE:

ITEM DESCRIPTION:

159 2X

158 2X

165 1X

160 1X

157 1X

161 10X

152 1X

151 1X

161 10X

153 1X

166 1X

156 1X

157 1X

160 1X

155 1X

154 1X

164 2X

162 1X

150 1X

167