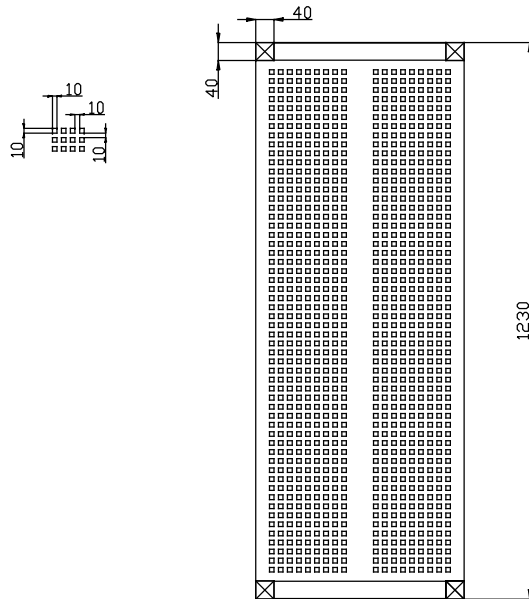
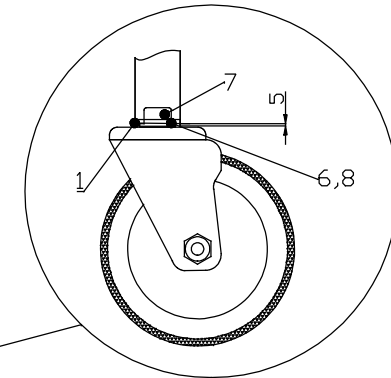
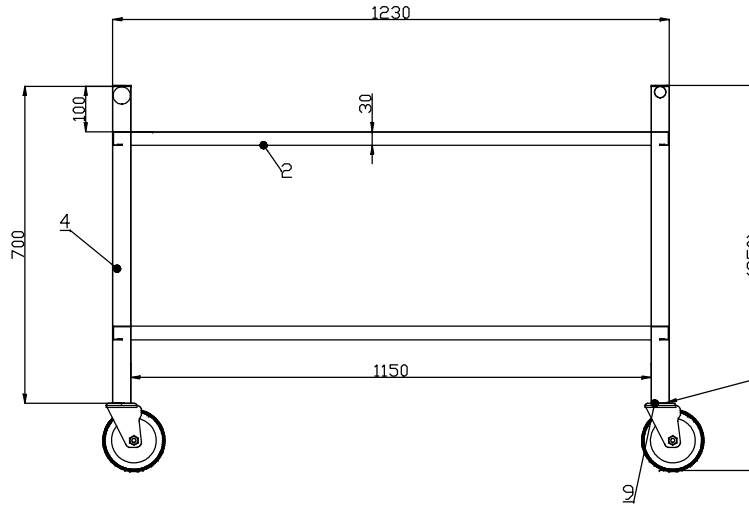
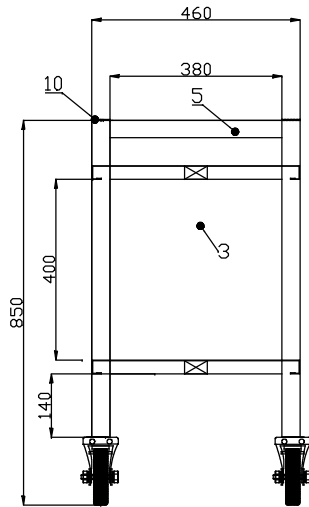


F-CHAR2P0NTS - modification tube 40x40x1
date 31.01.2017



	№ drawing	Name	mater.	qty
1	F-CHAR2P0NTS.01	Plate with hole	430	1
2	F-CHAR2P0NTS.02	Perforated shelf 1228x458x30	430	2
3	F-CHAR2P0NTS.03	Reinforcing profil 50x27 L=1220	430	2
4		Tube 40x40x1 L=700	430	4
5		Tube Φ 38x1 L=380	430	2

	nomenclature №	Name	mater.	qty
6	DIN912	Screw M10x25	Zn	4
7	DIN934	Nut M10	Zn	4
8	DIN127	Spring washer M10	Zn	4
9	M 125TPAHS	Wheel Φ 125 without brake	Zn	4
10		Stopple for tube 25x25x1	PVC	4

430