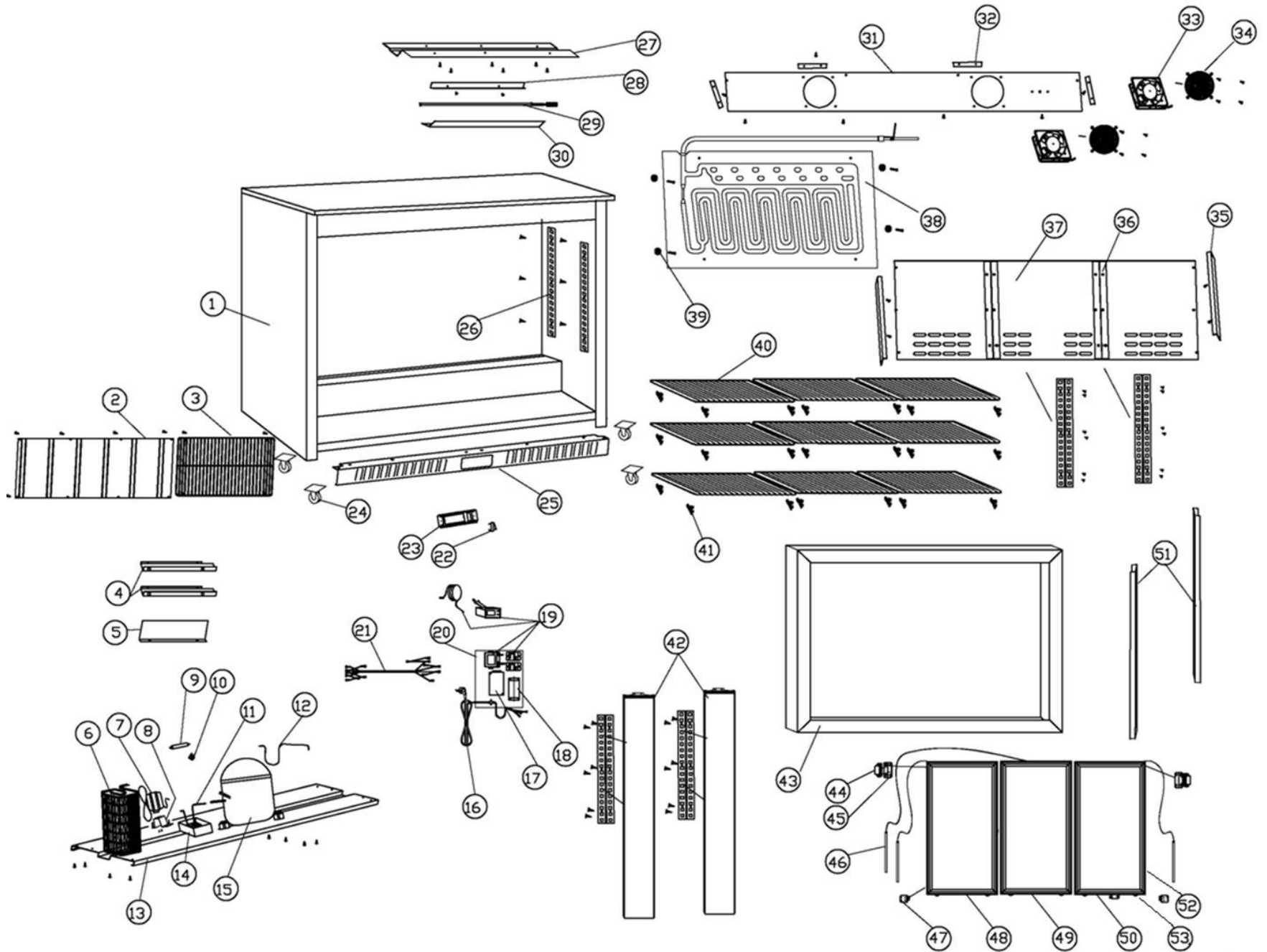


LG-330S



Item No.	supplier spare part number	Name	QTY	REF NAVISION
1	FPXJ330L	body	1	
2	PTBP9170	compressor room back cover	1	
3	WJGD9000	compressor room back net board	1	
4	LZBP9458	Exhaust plate fortified board	2	
5	DXBI9000	Baffle	1	
6	DTLA9002	Wire condenser	1	BBT350-6
7	DQJB2004	condenser fan motor	1	BBD230-7
8	DXBI9003	condenser fan support plate	1	BBD230-8
9	TCGV0002	filter	1	BBS130-9
10	SLJAC008	filter clip	1	
11	TCGD2012	Heater	1	
12	TCGO3004	capillary tube	1	
13	DXBA9005	compressor fixing plate	1	
14	SLZJ0022	water tray	1	BBD230-14
15	DQYA0009	compressor	1	BBC330S-15
16	DQXA6002	plug and cord	1	
17	SLZB3001	Junction box	1	BBS130-16
18	DQLED069	ballast	1	BBC208S-18
19	DQWB0002	digital diaplayer	1	BBC330S-19
20	WJBD0002	assemble plate	1	
21	DQXB9019	Connecting Cable	1	
22	DQKC0000	light switch	1	BBS130-21
23	SLZE0014	displayer support plate	1	
24	WJLA1009	Castor	4	BBS130-23
25	PTBP9088	Exhaust plate assemblies	1	BBC330S-25
26	LCCJ2001	pilaster	12	BBC208S-26
27	LCGP9004	Light tube fixing plate	1	
28	SLJAP006	light cover clipplate	1	
29	DQLED067	light tube	1	BBC330S-29
30	SLZV0019	transparent light cover	1	BBC330S-30
31	LCGP9015	evaporator fan support plate	1	
32	LCGP9005	Fan motor plate support	4	
33	DQFD2003	evaporator fan	2	BBS130-35
34	WJFZ0007	evaporator fan cover	2	
35	LCGP9003	Evaporator baffle holder	2	
36	SLJAU004	pilaster holder	2	
37	LCGP9012	evaporator cover	1	
38	TLZD9002	evaporator	1	BBT350-41
39	SLZE0042	evaporator support plate	4	
40	WJGA9008	shelf	9	BBT350-43
41	LCCK0002	k clip	36	BBT350-44
42	SLJAV002	pillar assembly	2	
43	LCCC9011	door frame	1	BBC330S-43
44	WJCX0000	Stopper	2	
45	WJCXG000	Stopper fixing plate	2	

Item No.	supplier spare part number	Name	QTY	REF NAVISION
46	WJQZ9001	sliding door spring	3	BBC330S-46
47	JGJA0005	Rubber	2	
48	BLGM9S0N	left sliding door	1	BBC330S-48
49	BLGM9S1N	middle sliding door	1	BBC330S-49
50	BLGM9S0N	right sliding door	1	BBC330S-50
51	SLJAG901	sliding door spring cover	3	
52	JNMA0000	Gasket	3	BBC208S-52
53	WJLD9001	door wheel	6	BBC208S-53