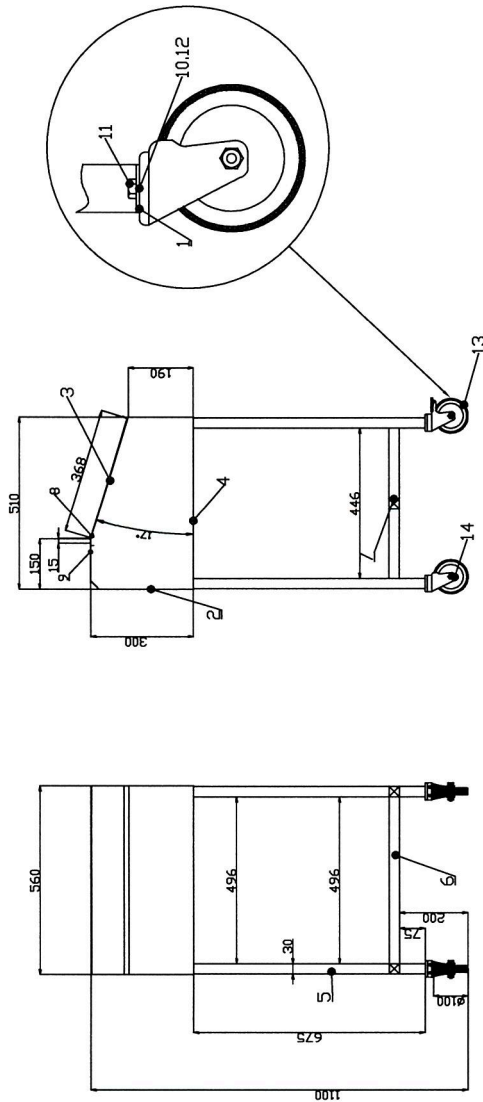


PUPPR



No drawing	Name	mater.	qty
1	PUPPR01 Plate with hole	304	4
2	PUPPR02 Back - 560x150x300	304	1
3	PUPPR02 Top cover - 555x368	304	1
4	PUPPR02 Bottom - 560x510x190	304	2
5	PUPPR02 Tube 30x30x1 L=675	304	4
6	PUPPR02 Tube 30x30x1 L=496	304	1
7	PUPPR02 Tube 30x30x1 L=446	304	2
8	PUPPR02 Reinforcing profil L=550	304	1
9	PUPPR02 Plano hinge	304	1

denomination	Name	mater.	qty
10	DIN912 Screw M10x25	Zn	4
11	DIN934 Nut M10	AP	4
12	DIN127 Spring washer M10	Zn	4
13	PA0000P50 Wheel $\phi$ 100 with brake	Inox	2
14	PA0000P50 Wheel $\phi$ 100 without brake	Inox	2