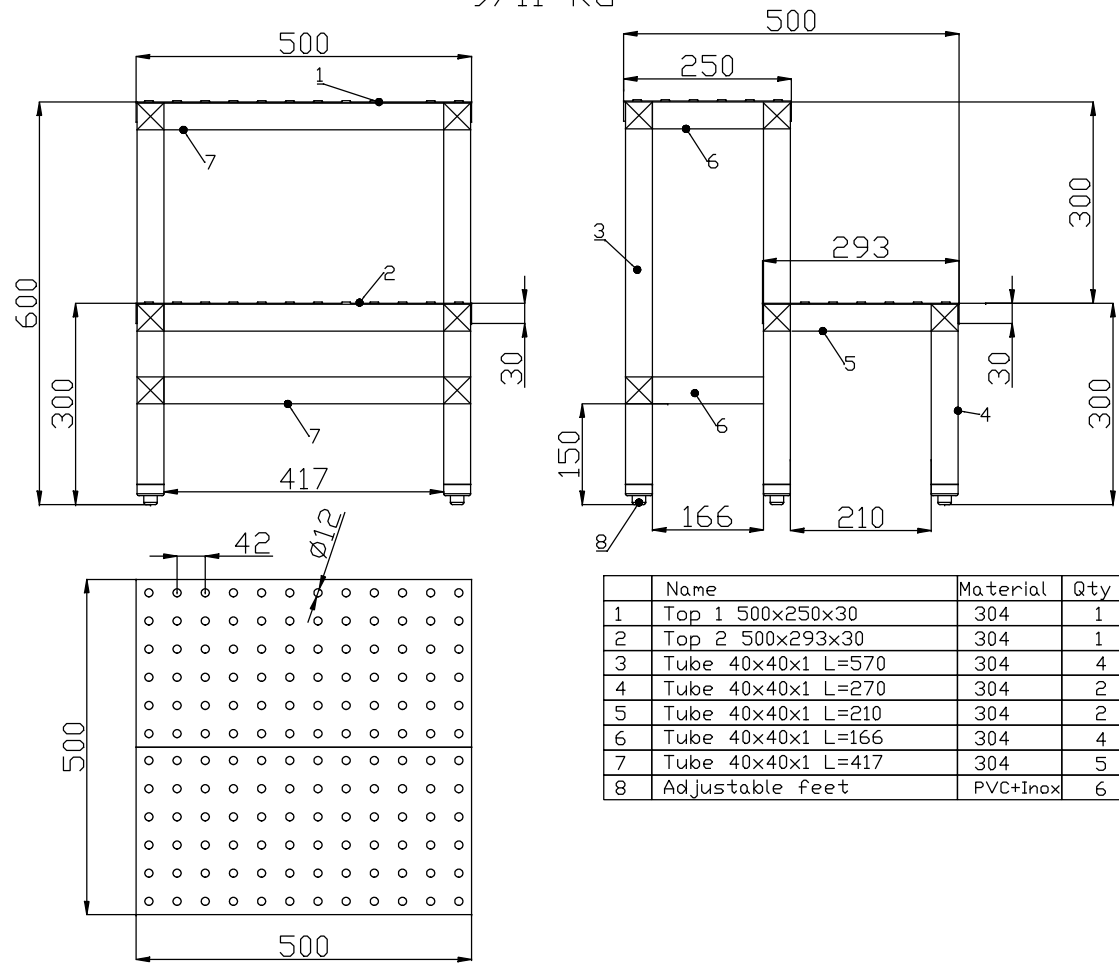


STAIRS-2S
9/11 KG



	Name	Material	Qty
1	Top 1 500x250x30	304	1
2	Top 2 500x293x30	304	1
3	Tube 40x40x1 L=570	304	4
4	Tube 40x40x1 L=270	304	2
5	Tube 40x40x1 L=210	304	2
6	Tube 40x40x1 L=166	304	4
7	Tube 40x40x1 L=417	304	5
8	Adjustable feet	PVC+Inox	6